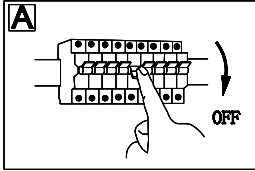


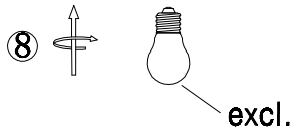
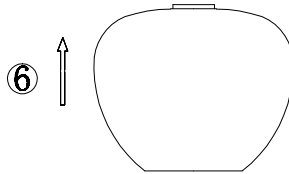
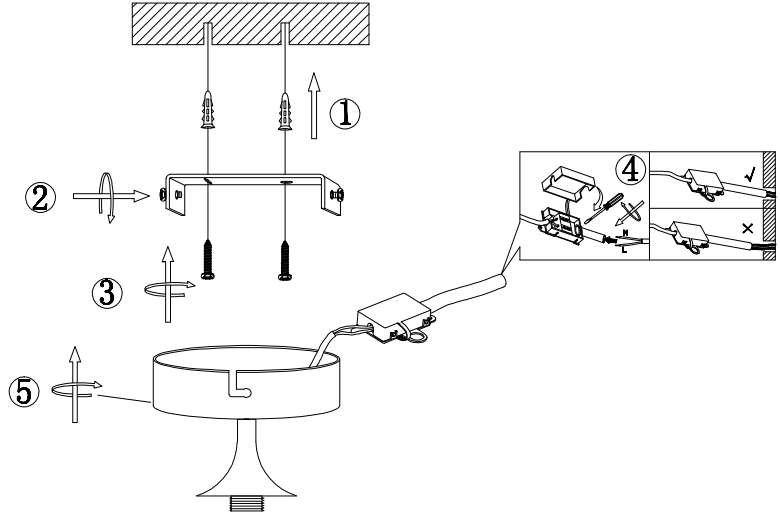
# GLOBO

LIGHTING

15548DG



B



1x MAX 60W E27  
230V~ 50Hz

GLOBO Handels GmbH  
Gewerbstrasse 3  
A-9184 Sankt Peter  
Austria  
[www.globo-lighting.com](http://www.globo-lighting.com)  
[office@globo-lighting.com](mailto:office@globo-lighting.com)

