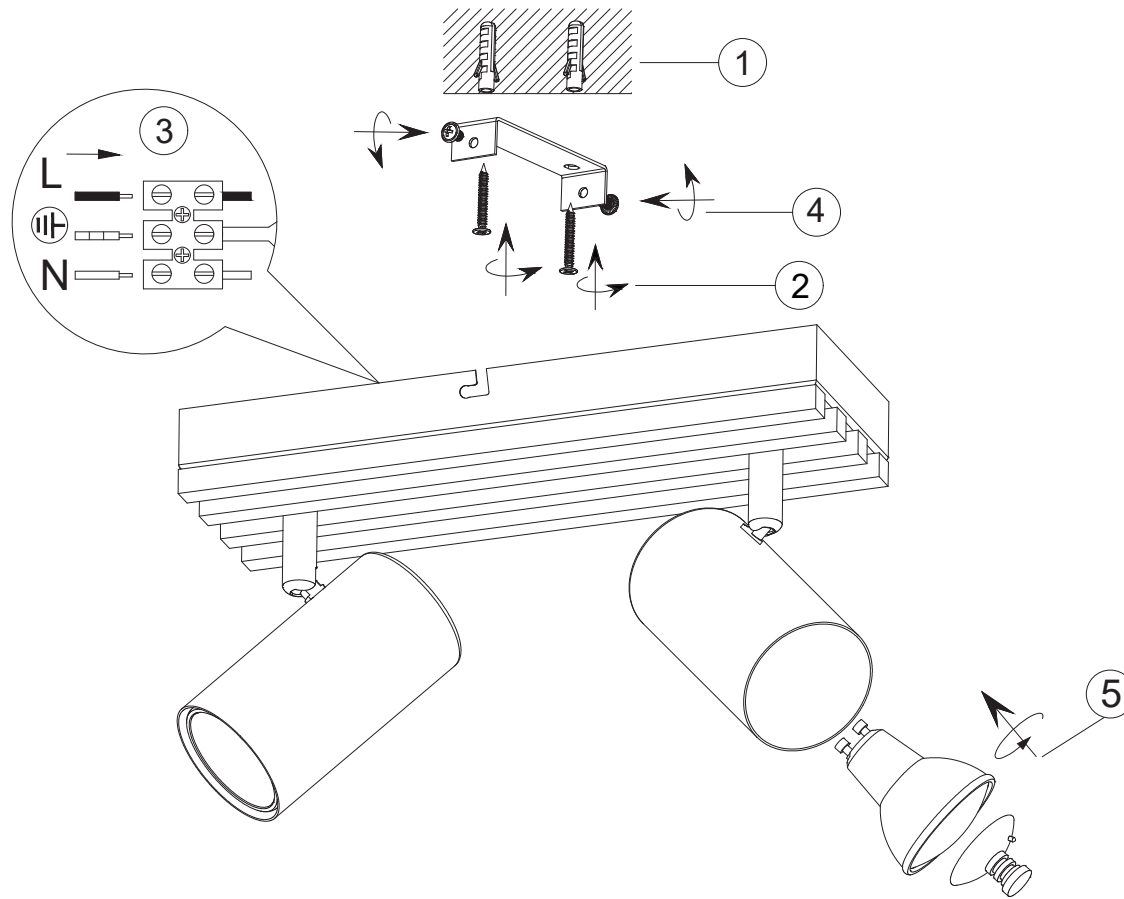
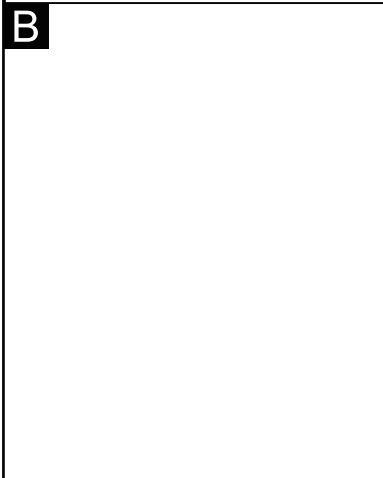
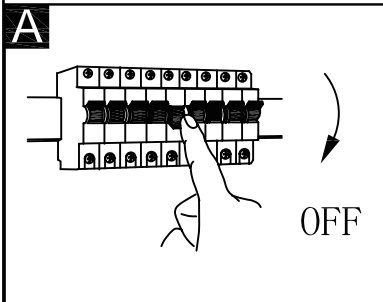


# GLOBO

LIGHTING

[www.globo-lighting.com](http://www.globo-lighting.com)

57909-2



2x MAX 25W GU10  
230V~ 50Hz

GLOBO Handels GmbH  
Gewerbestr. 3  
A-9184 Sankt Peter  
AUSTRIA  
[office@globo-lighting.com](mailto:office@globo-lighting.com)  
[www.globo-lighting.com](http://www.globo-lighting.com)

