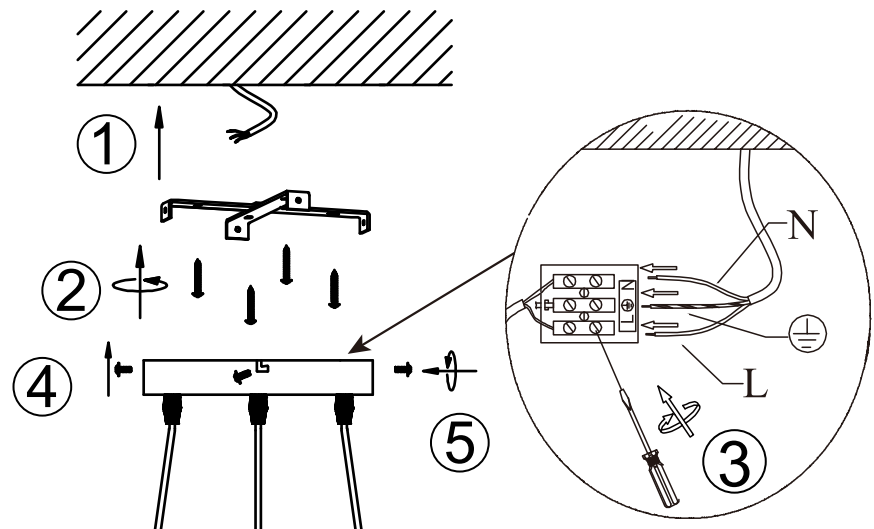


GLOBO

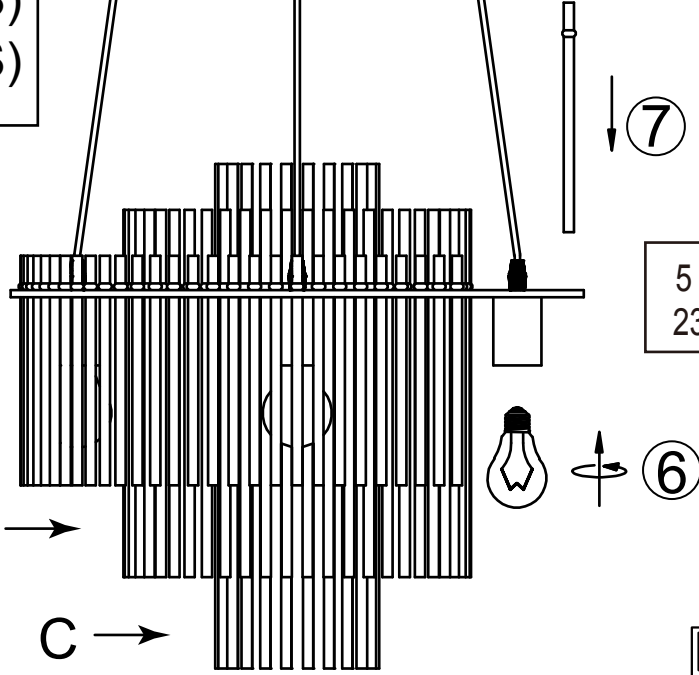
LIGHTING

B



15698H1
15698H1M

A (L:200mm ; 80PCS)
B (L:320mm ; 50PCS)
C (L:440mm ; 22PCS)

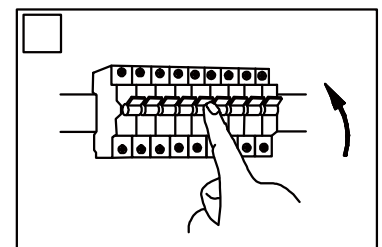


5 x Max 60W E27
230V~ 50Hz

A →

B →

C →



GLOBO Handels GmbH
Gewerbestr. 3
A-9184 Sankt Peter
Austria
www.globo-lighting.com
office@globo-lighting.com