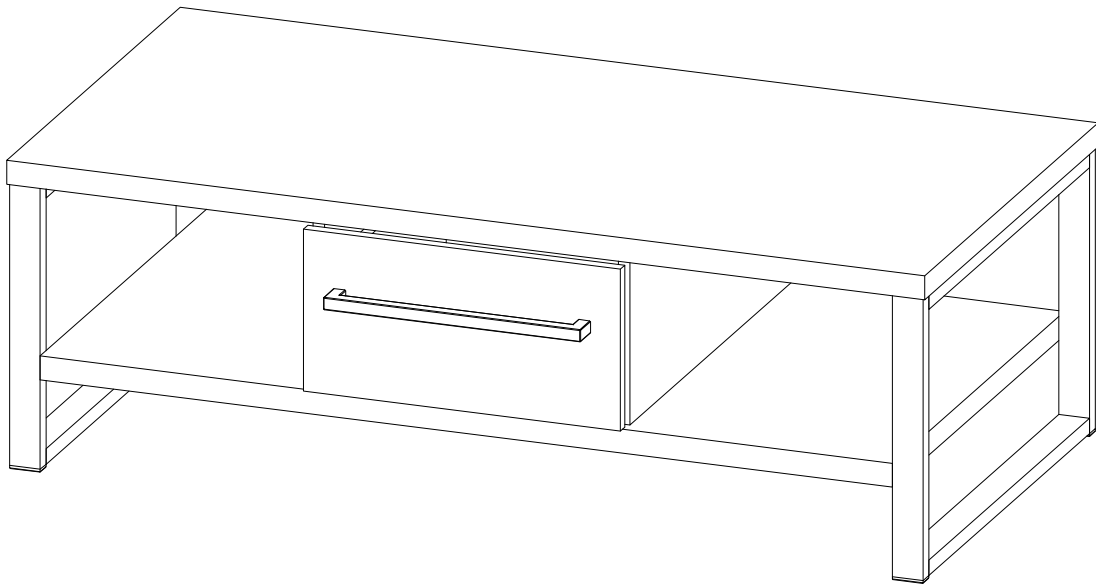
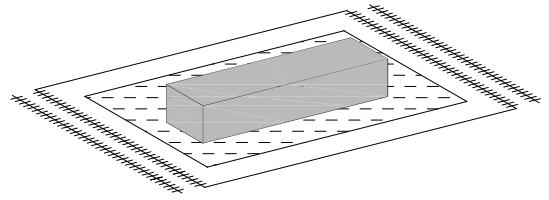
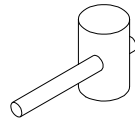
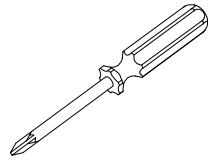
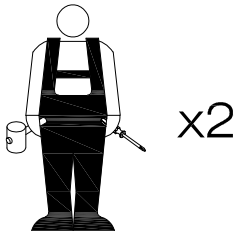
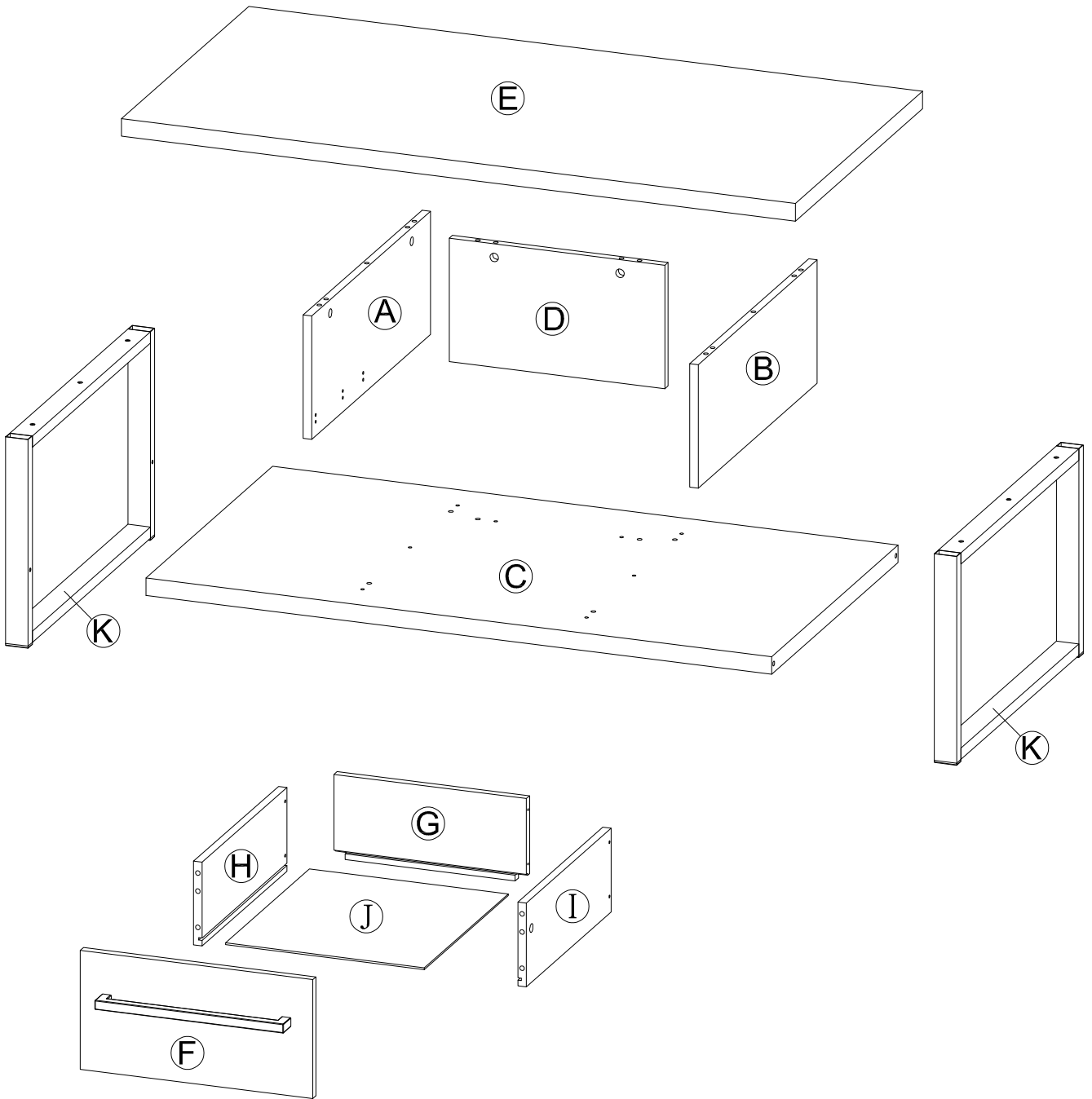


71102
COFFEE TABLE
SALONTAFEL



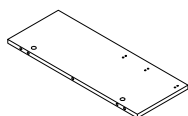


<p>① x 1</p> <p>15g</p>	<p>② x 18</p> <p>∅8 x 30mm</p>	<p>③ x 8</p> <p>35mm</p>	<p>④ x 12</p> <p>∅15 x 12mm</p>	<p>⑤ x 8</p> <p>55mm</p>
<p>⑥ x 4</p> <p>35mm</p>	<p>⑦ x 4</p> <p>31.5mm</p>	<p>⑧ x 1</p> <p>336mm</p>	<p>⑨ x 2</p> <p>28mm</p>	<p>⑩ x 1</p> <p>400mm</p>
<p>⑪ x 12</p> <p>13mm</p>	<p>⑫ x 6</p> <p>40mm</p>	<p>⑬ x 4</p> <p>40 x 20mm</p>	<p>⑭ x 1</p> <p>M4</p>	<p>⑮ x 2</p> <p>∅20mm</p>



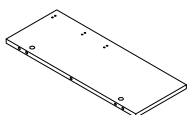
PARTS IDENTIFICATION : BESCHRIJVING ONDERDELEN :

(A) LEFT DIVIDER PANEL
(A) TUSSENSCHOT LINKS



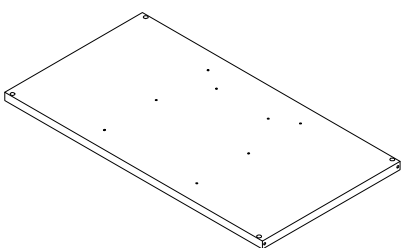
1 PC

(B) RIGHT DIVIDER PANEL
(B) TUSSENSCHOT RECHTS



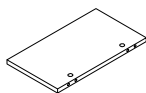
1 PC

(C) BOTTOM PANEL
(C) BODEM PANEEL



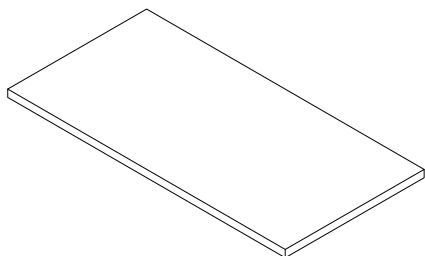
1 PC

(D) BACK PANEL
(D) ACHTERWAND



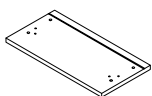
1 PC

(E) TOP PANEL
(E) BLAD



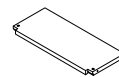
1 PC

(F) DRAWER FRONT PANEL
(F) LADEFRONT



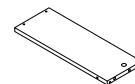
1 PC

(G) DRAWER BACK PANEL
(G) ACHTERWAND LADE



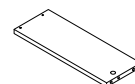
1 PC

(H) LEFT DRAWER SIDE PANEL
(H) ZIJDE LADE LINKS



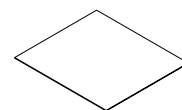
1 PC

(I) RIGHT DRAWER SIDE PANEL
(I) ZIJDE LADE RECHTS



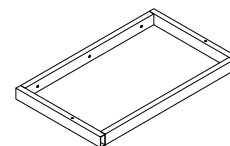
1 PC

(J) DRAWER BOTTOM PANEL
(J) LADEBODEM

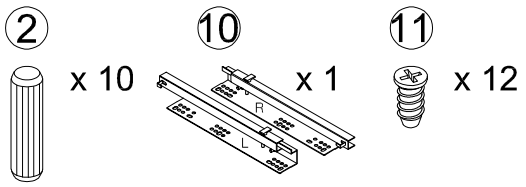


1 PC

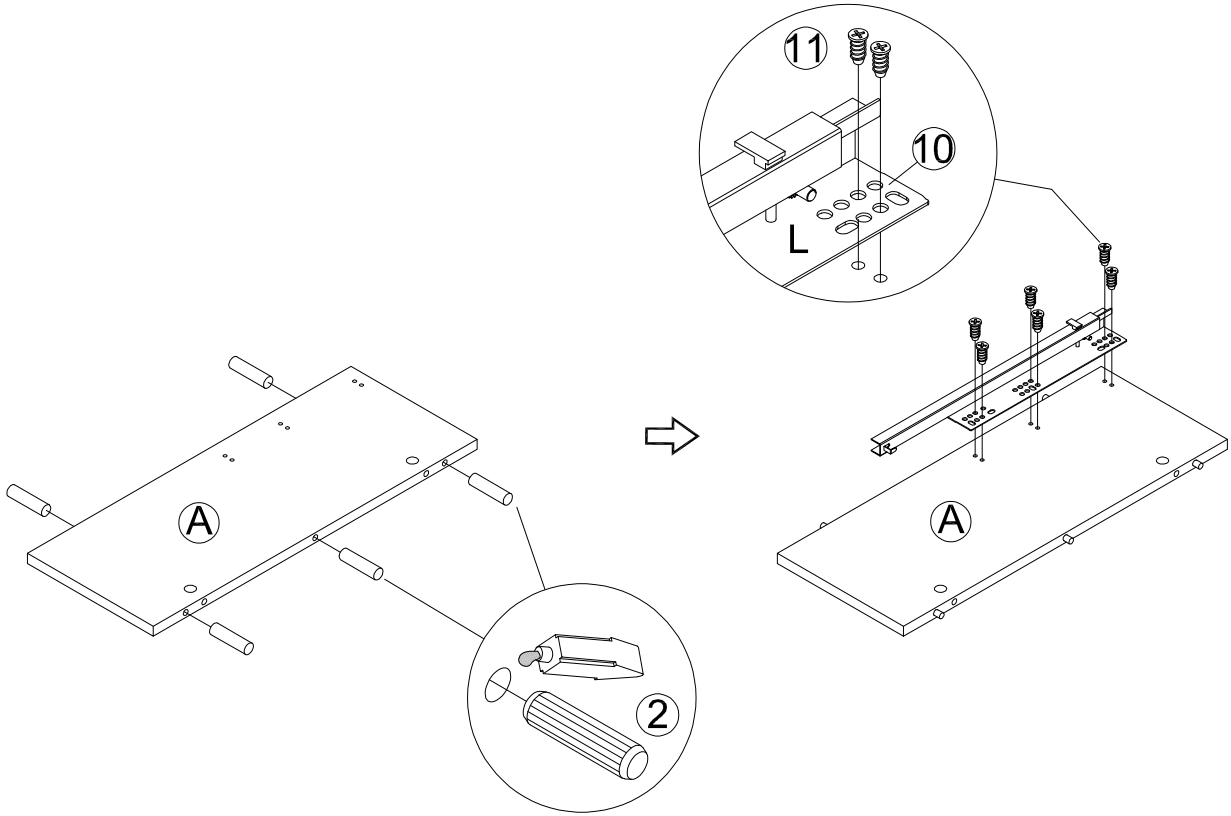
(K) LEG FRAME
(K) KADER BEEN



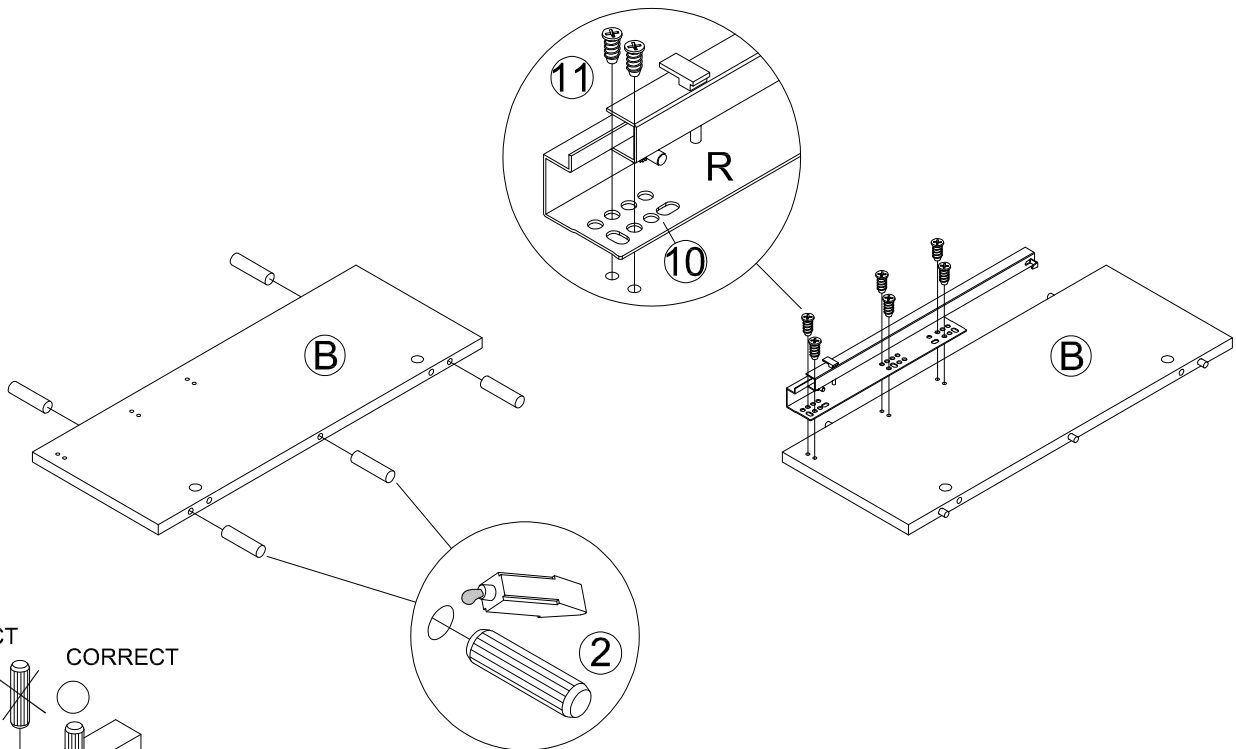
2 PCS



1

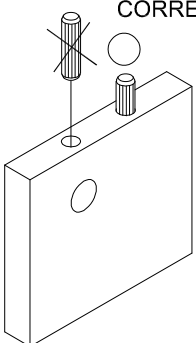


2

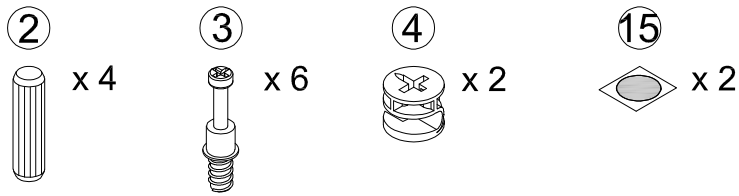


INCORRECT

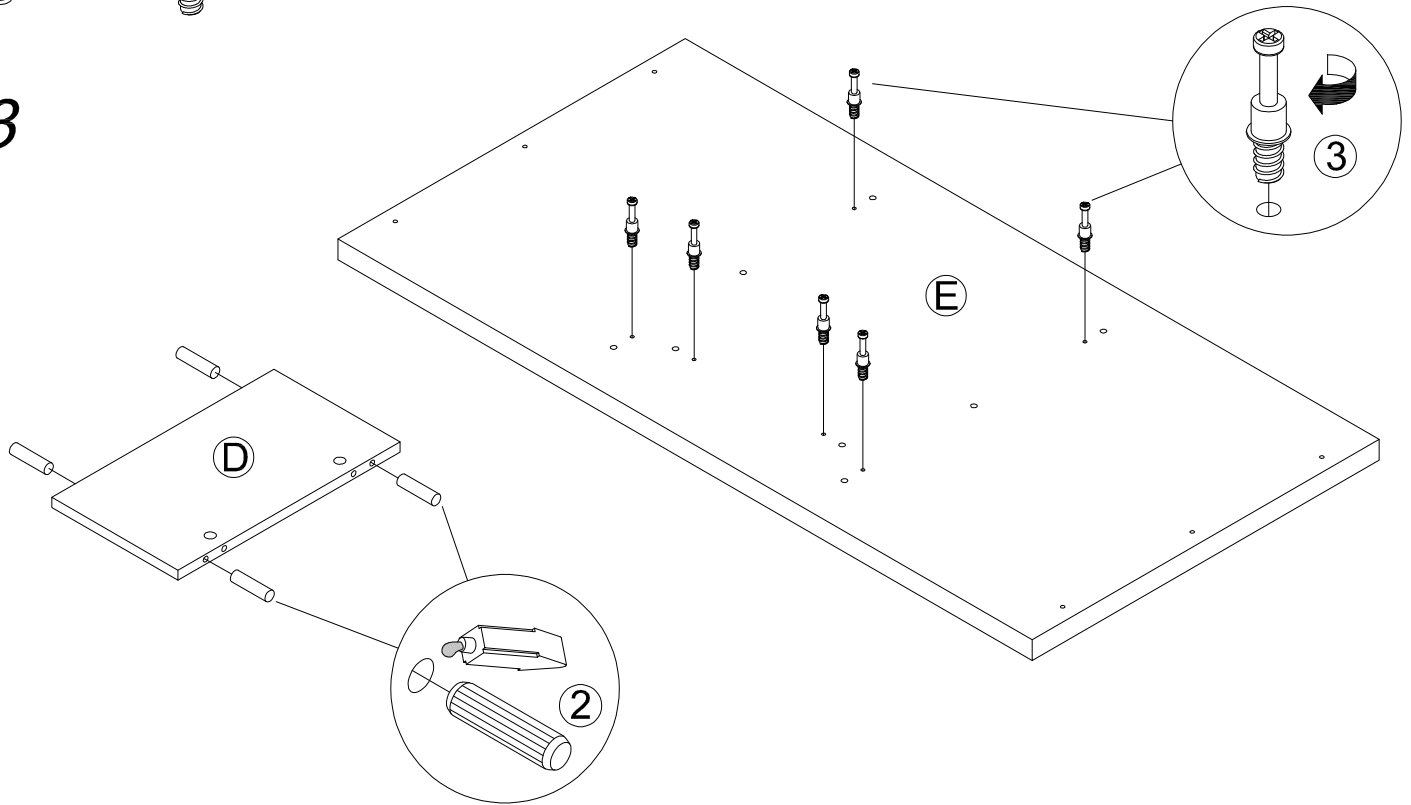
CORRECT



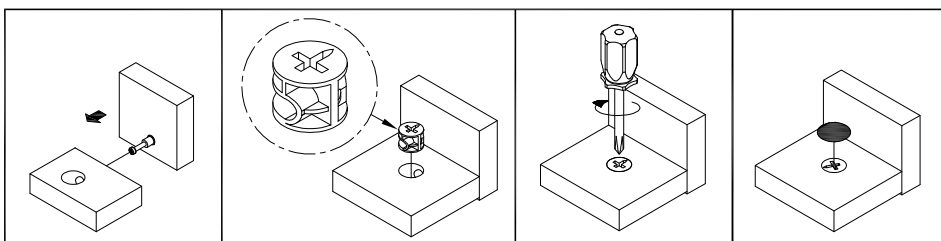
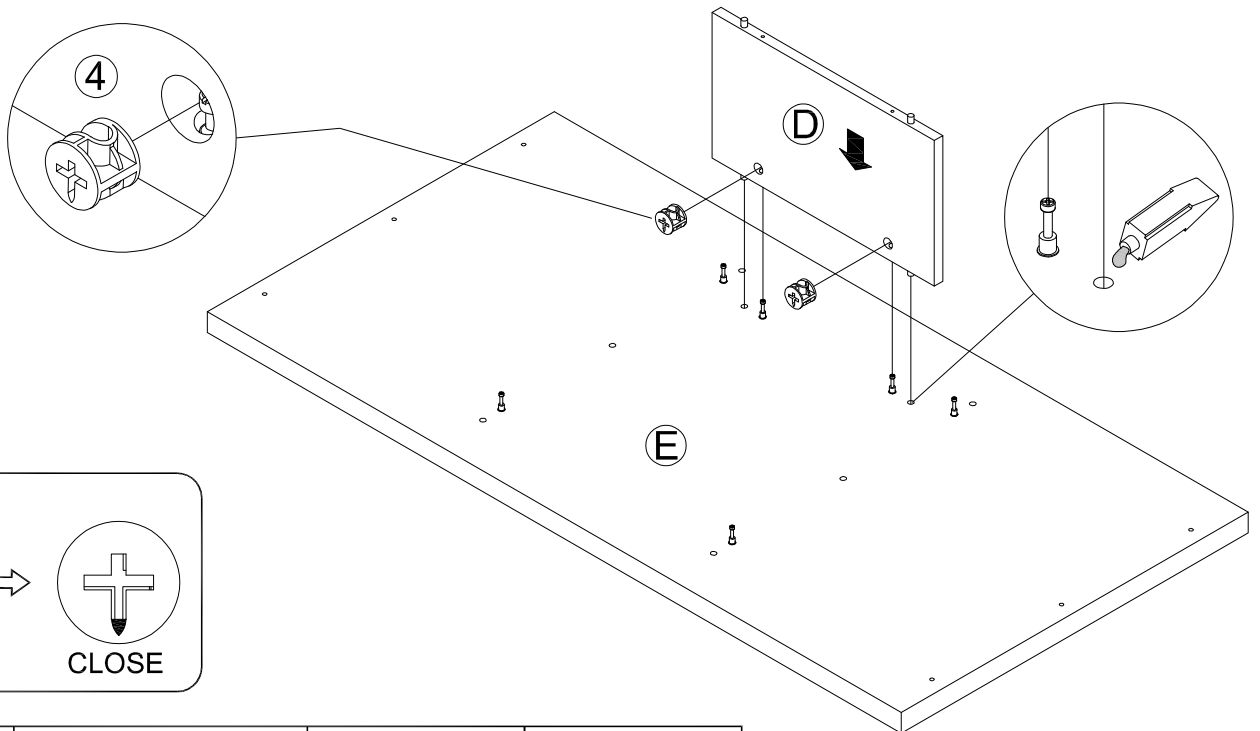
APPLY GLUE ON ALL WOODEN DOWELS TO
 ENSURE INTEGRITY OF THE STRUCTURE.
 BRENG LIJM AAN OP ALLE HOUTEN DEUVELS
 TEN BEHOEVE VAN DE STEVIGHEID.



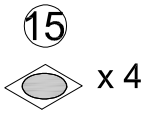
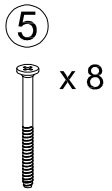
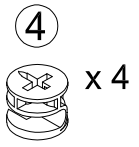
3



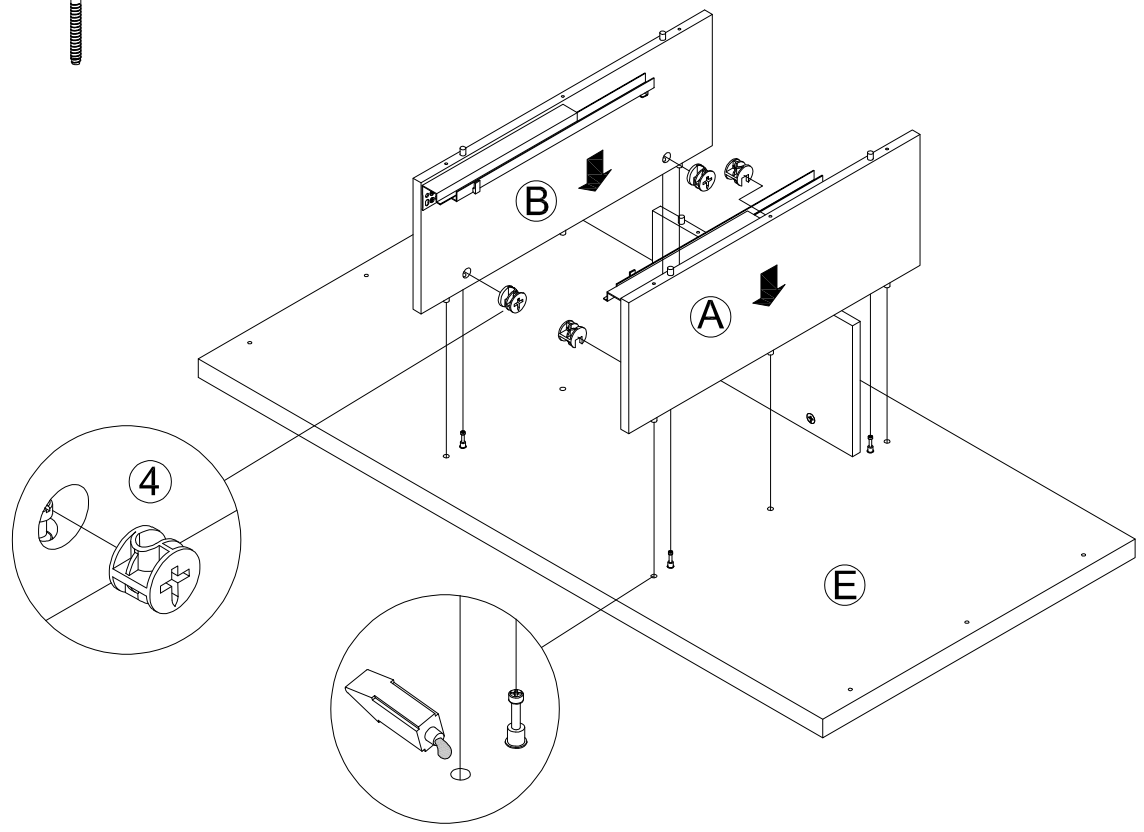
4



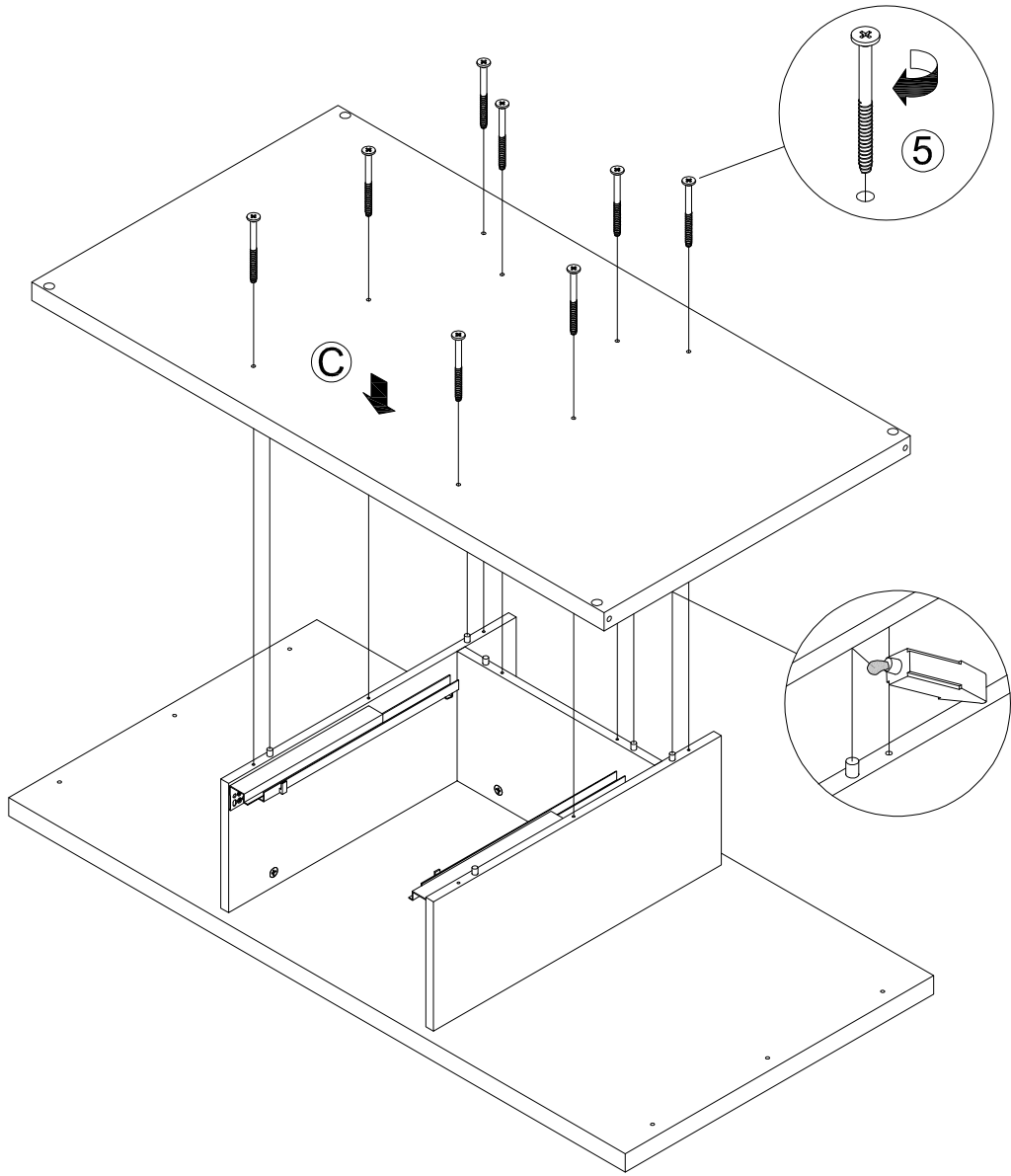
WHEN CAM BOLTS (3) IS ATTACHED, INSERT CAM LOCKS (4)
 AN TIGHTLY FASTEN BY TURNING CLOCKWISE.
 SCHUIF DE CONNECTOR (4) ERIN ZODRA DE CONNECTOR PIN (3)
 AANGEBRACHT IS EN BEVESTIG DEZE STEVIG DOOR MET DE
 KLOK MEE TE DRAAIEN.

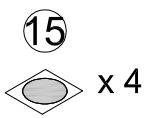
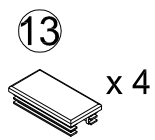
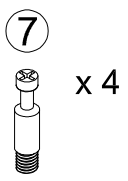
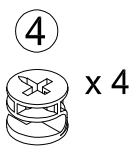


5

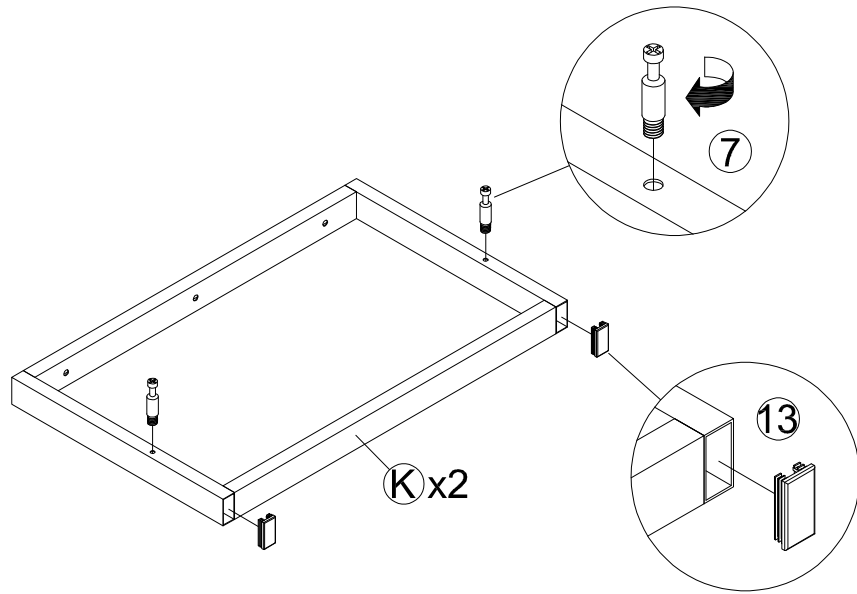


6

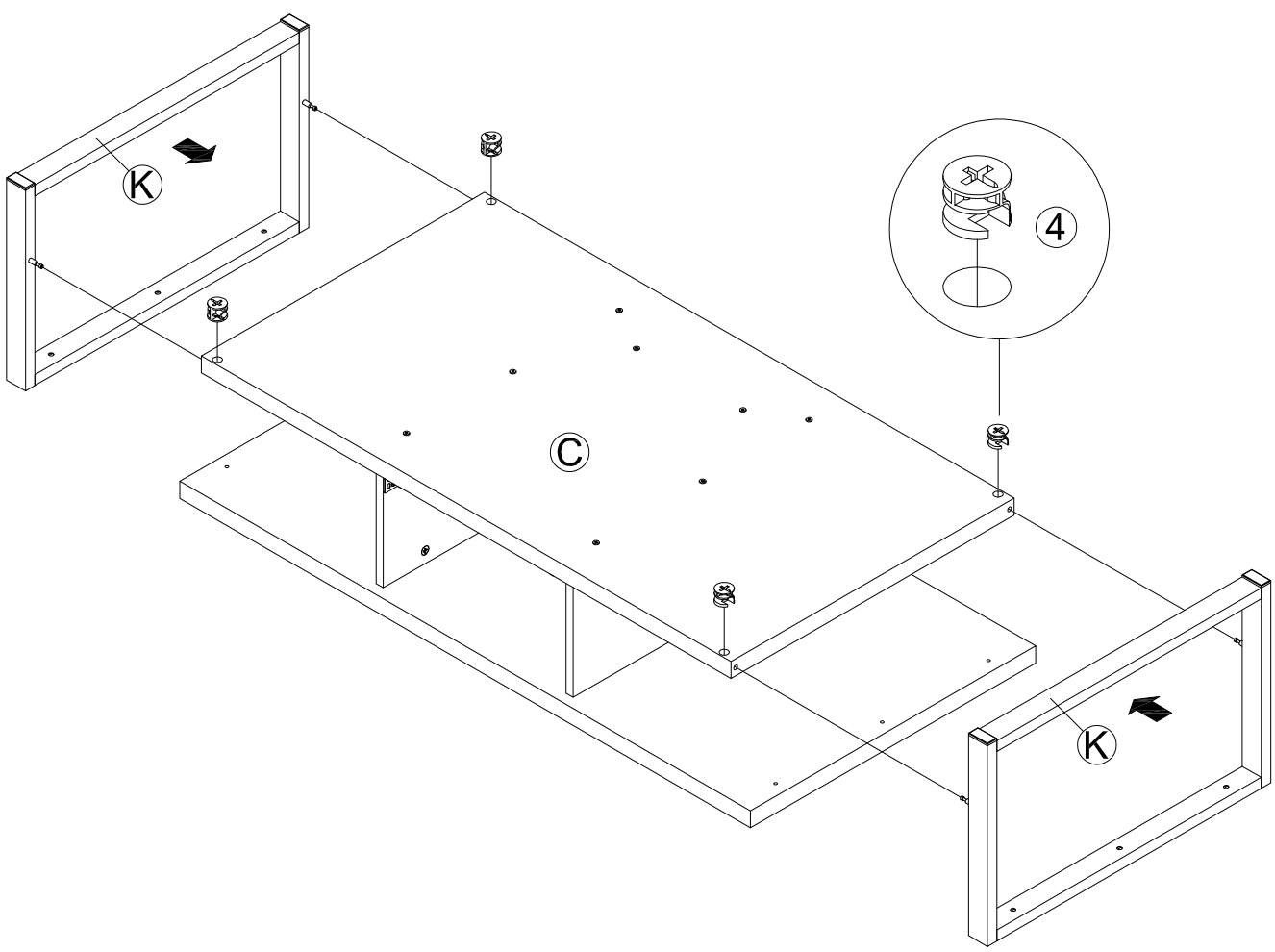




7



8

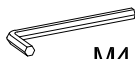


12



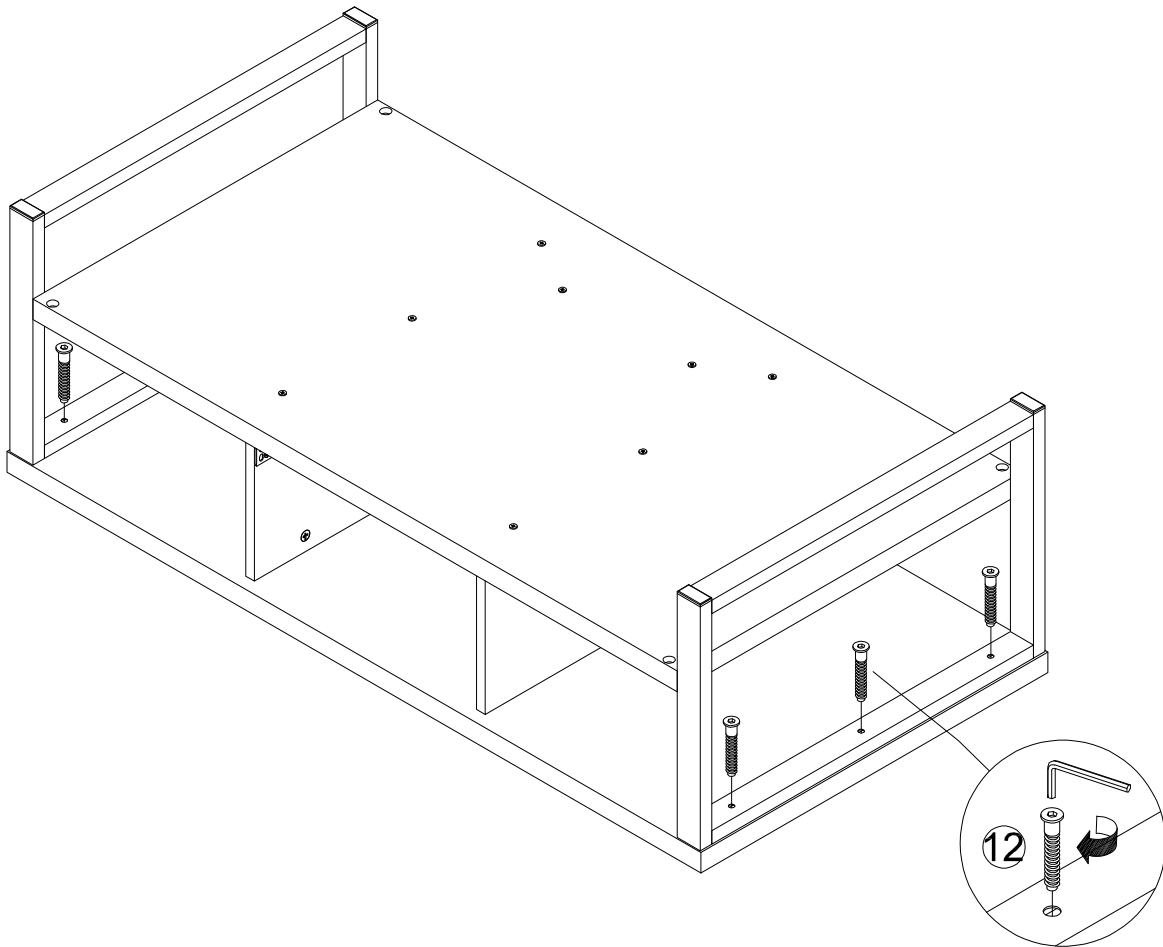
x 6

14

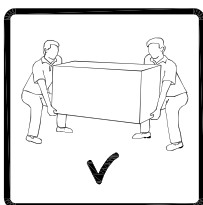
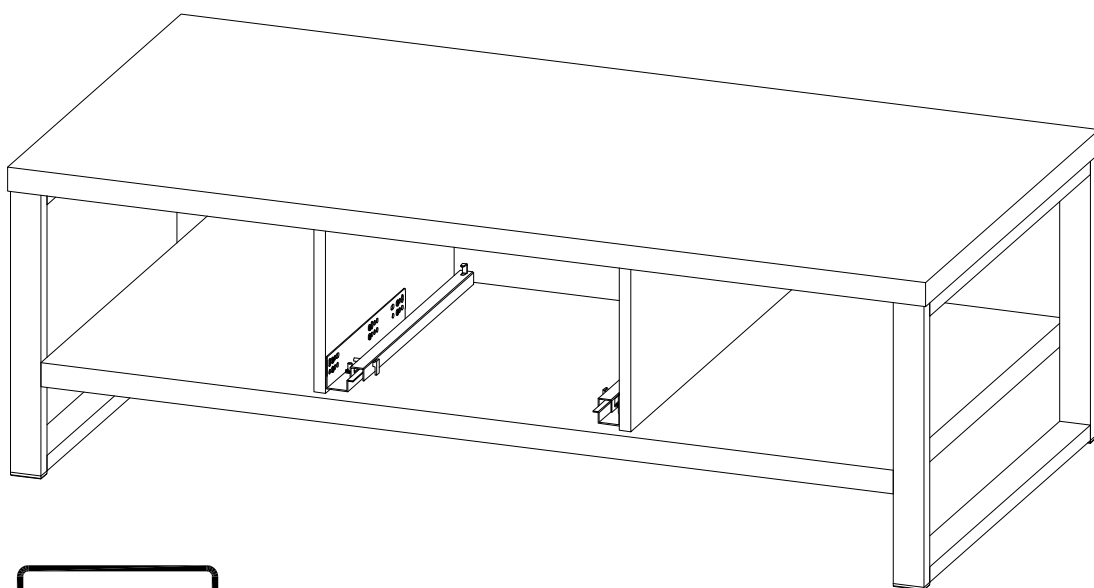


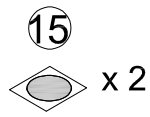
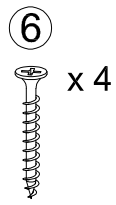
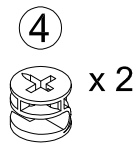
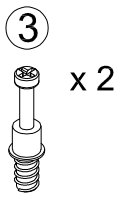
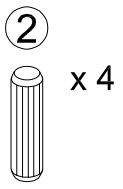
M4

9

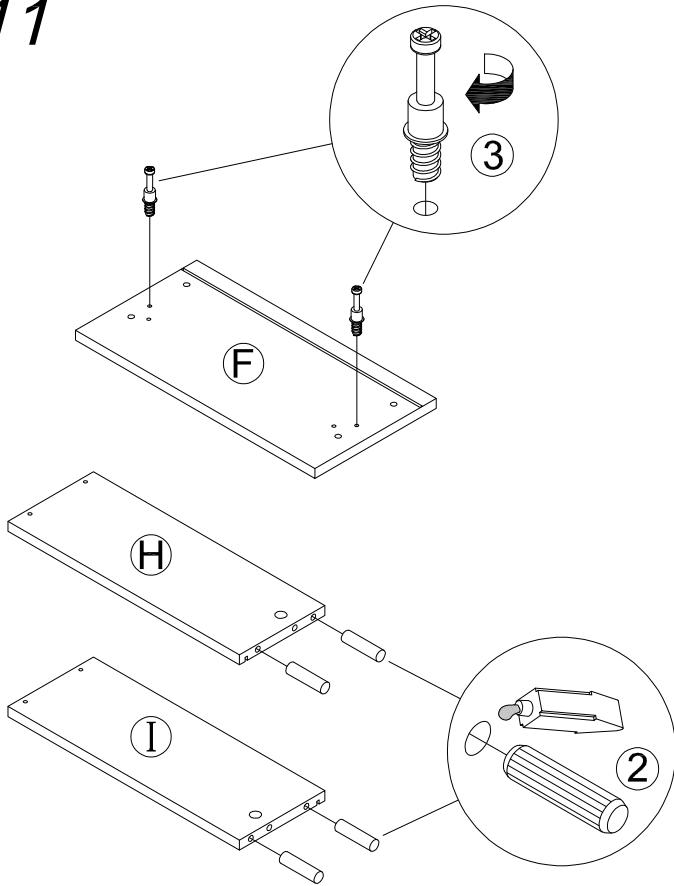


10

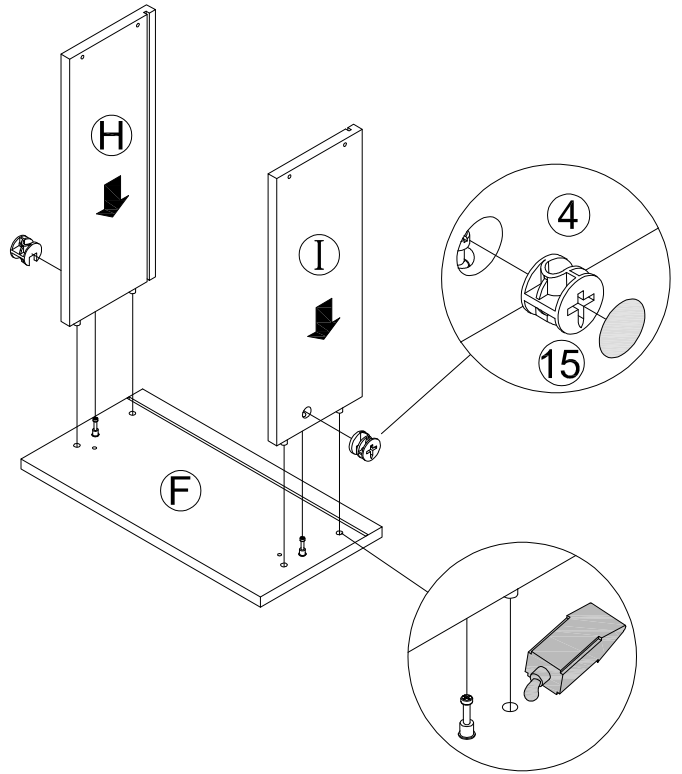




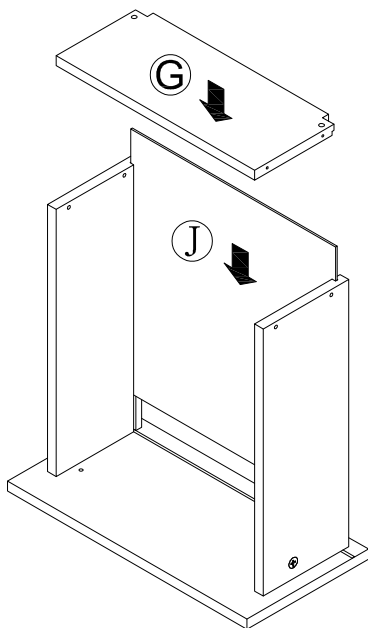
11



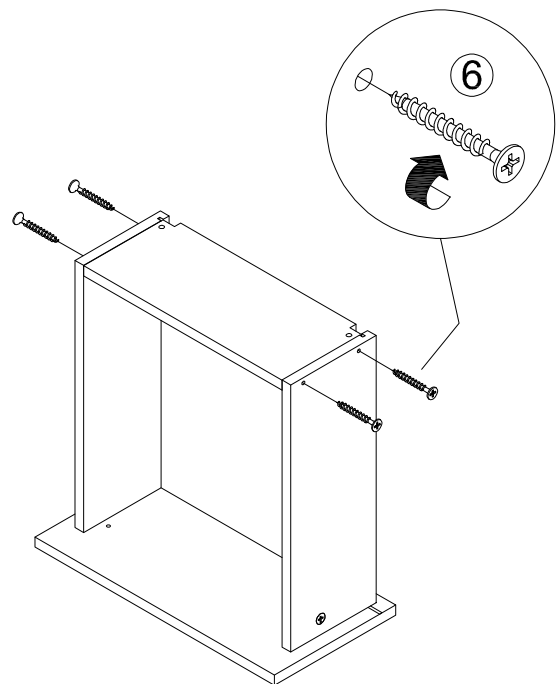
12

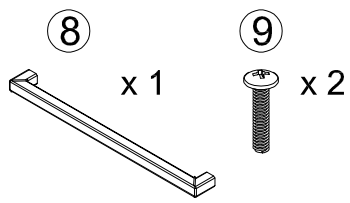


13

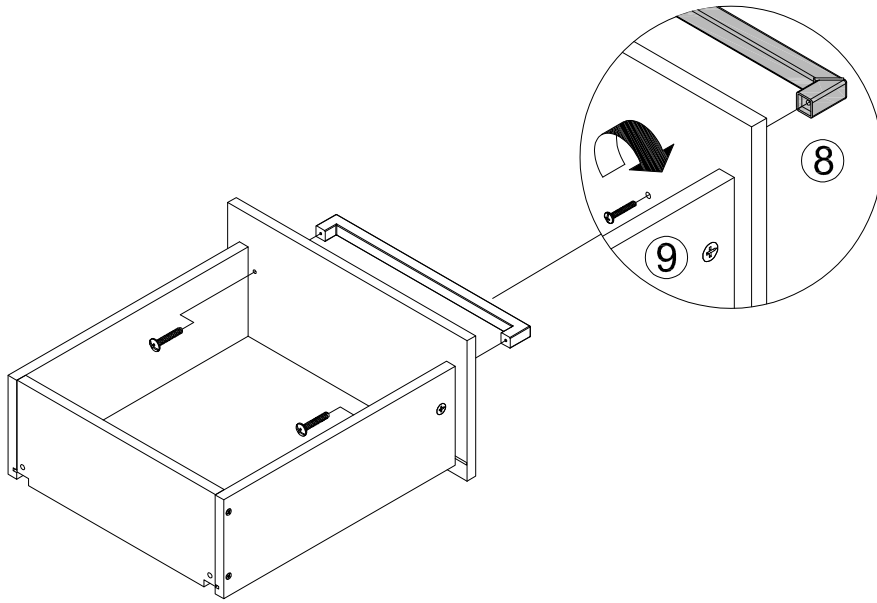


14





15



16

