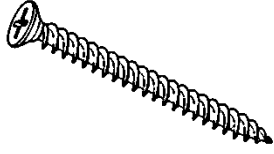
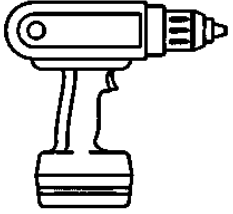
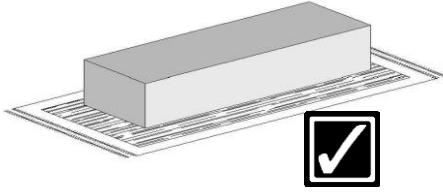


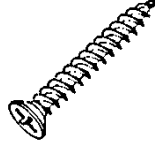


# Lecce GC

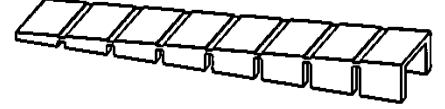




4x45 = 16x A

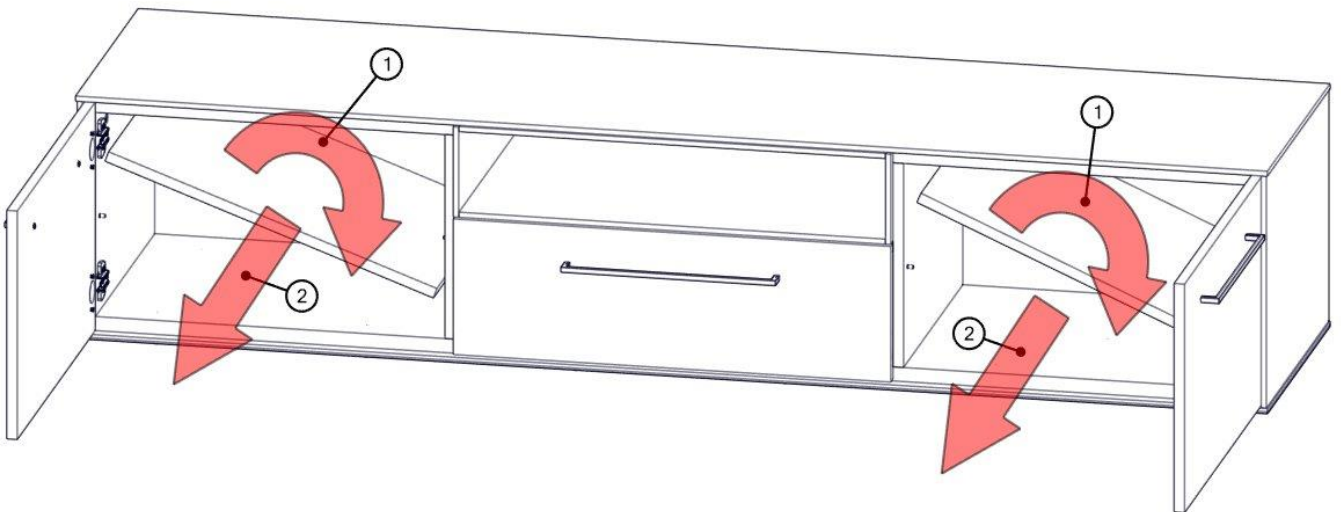


4x30 = 4x B

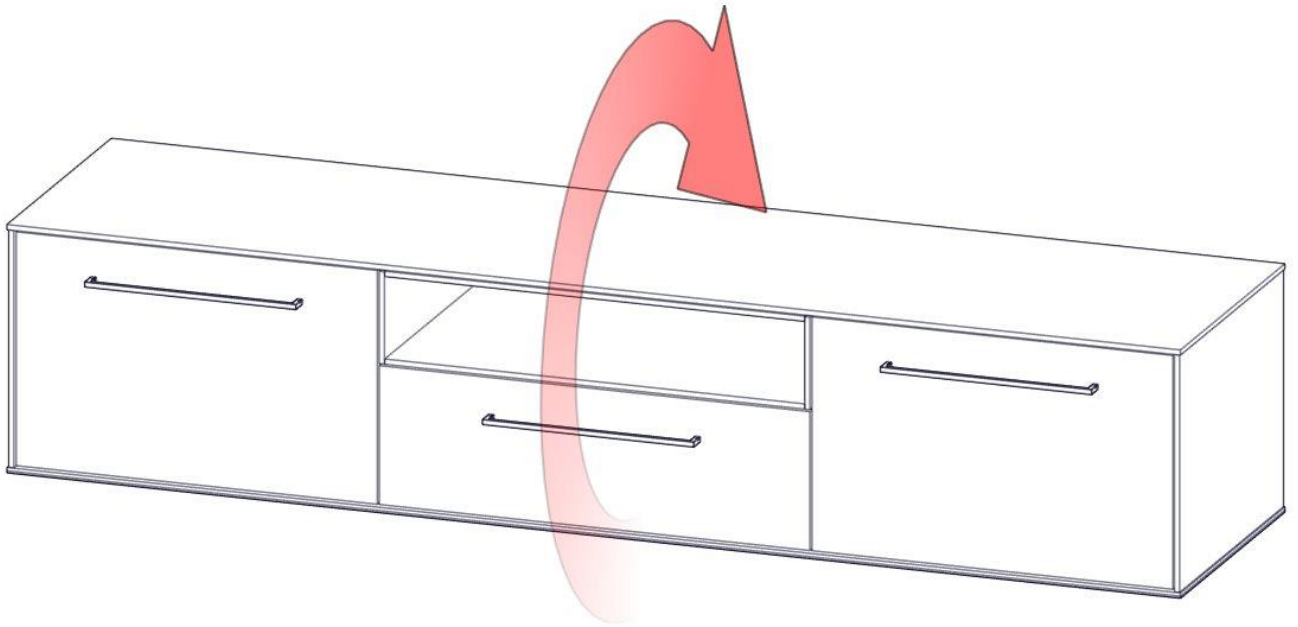


2x

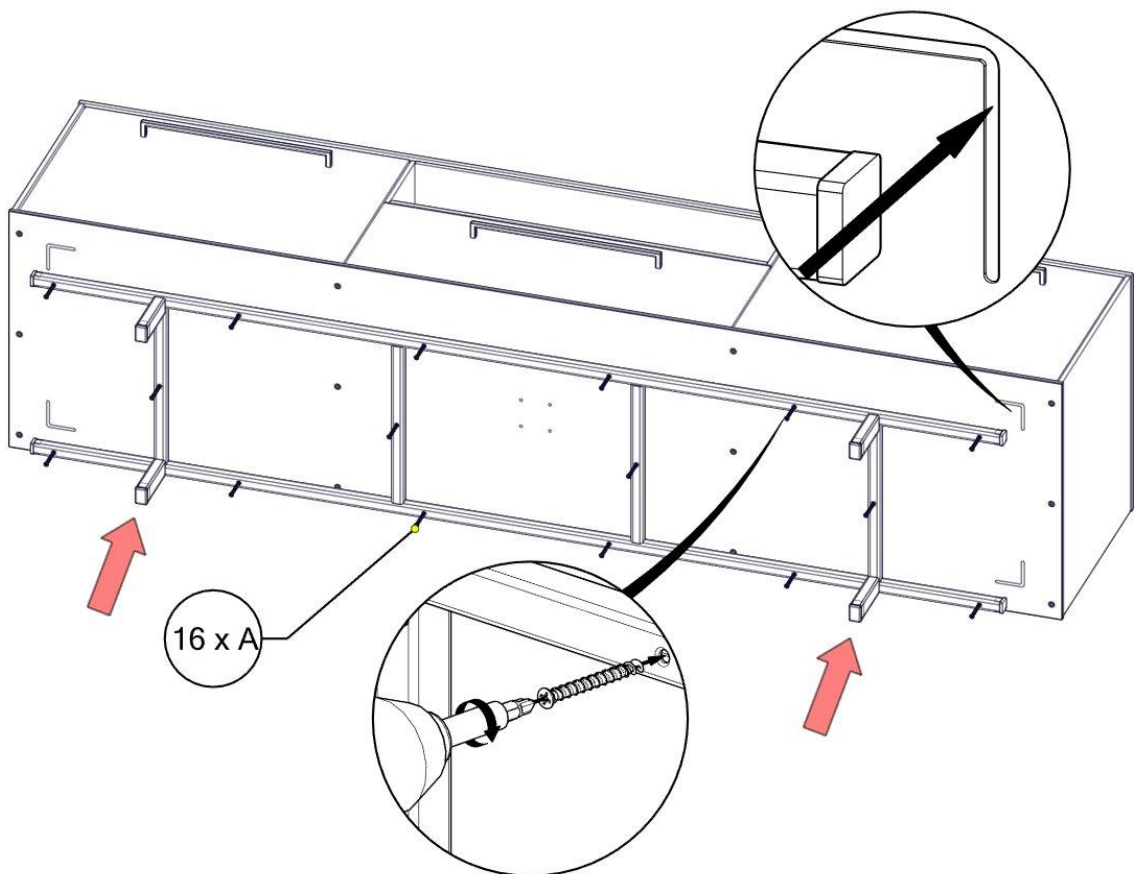
1.



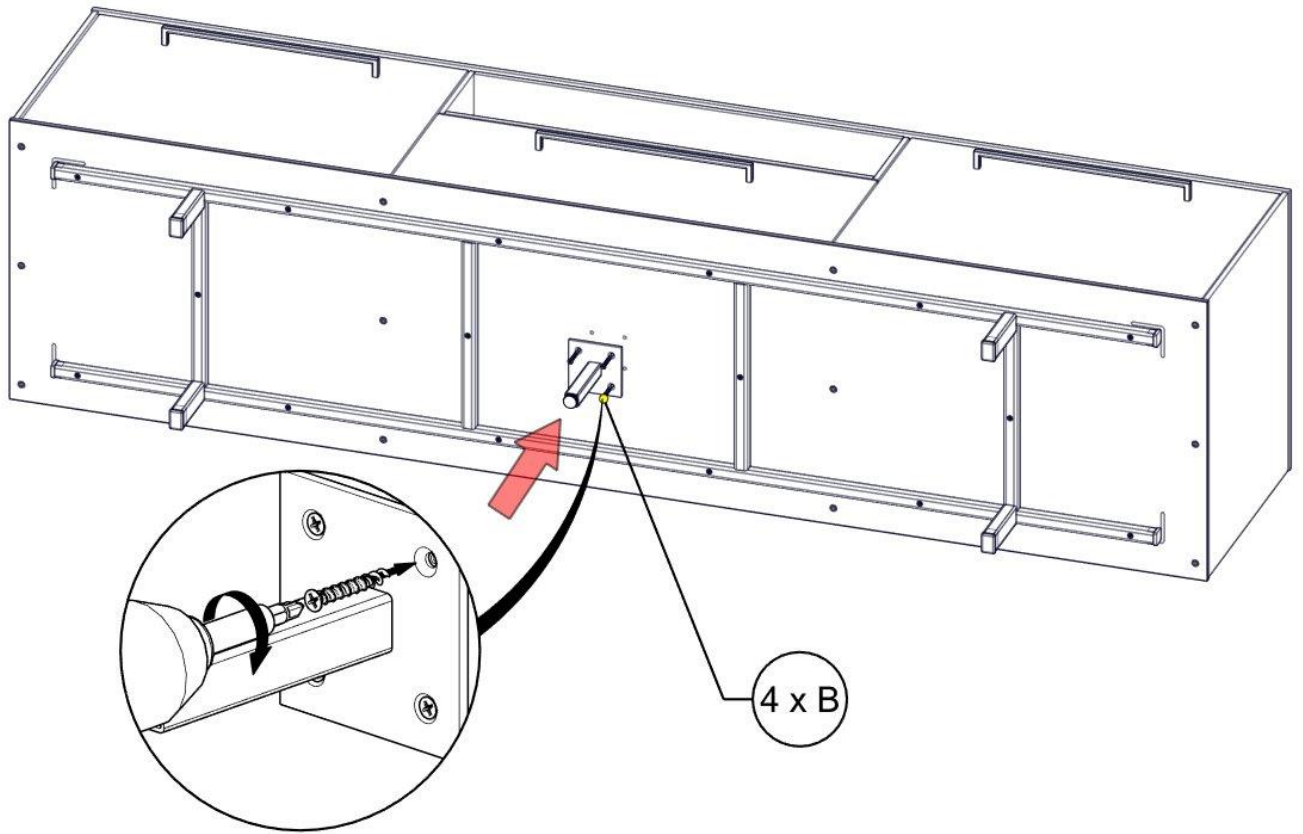
2.



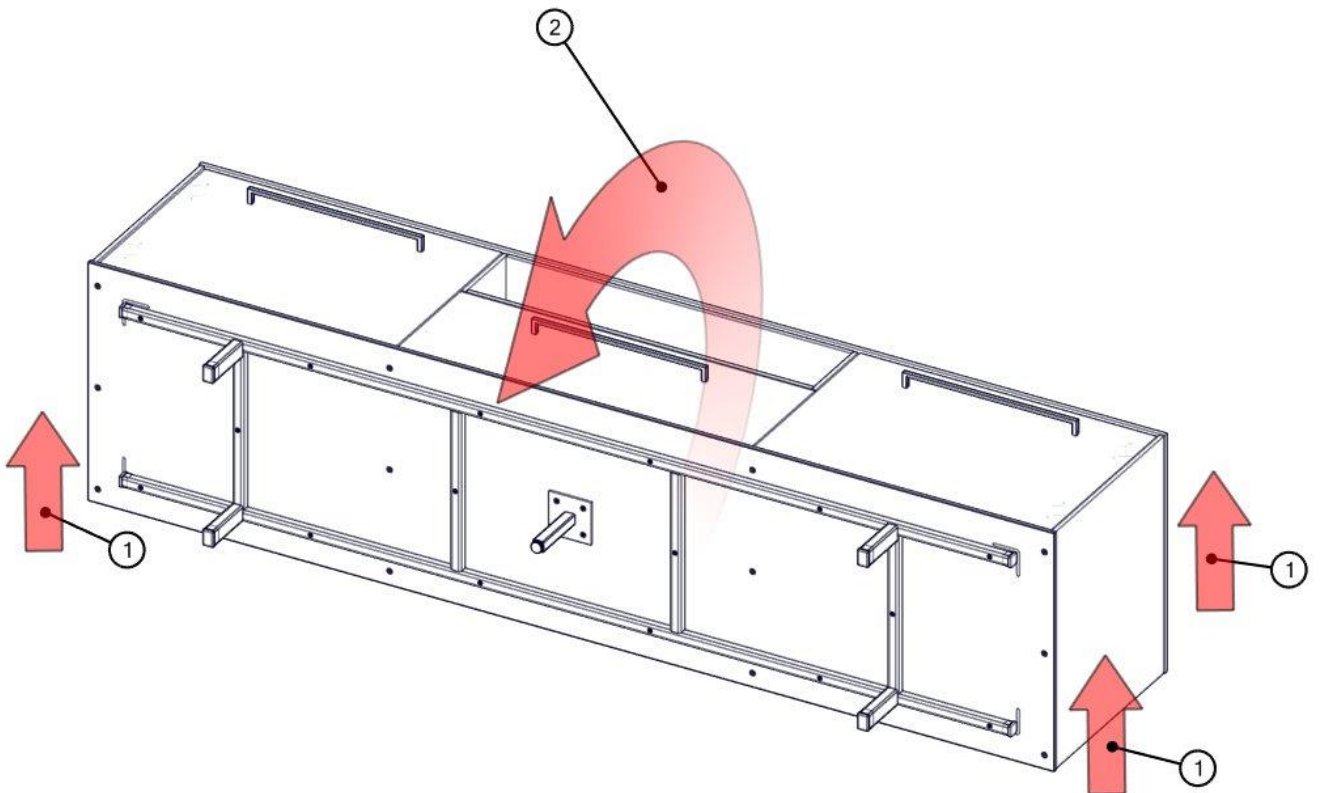
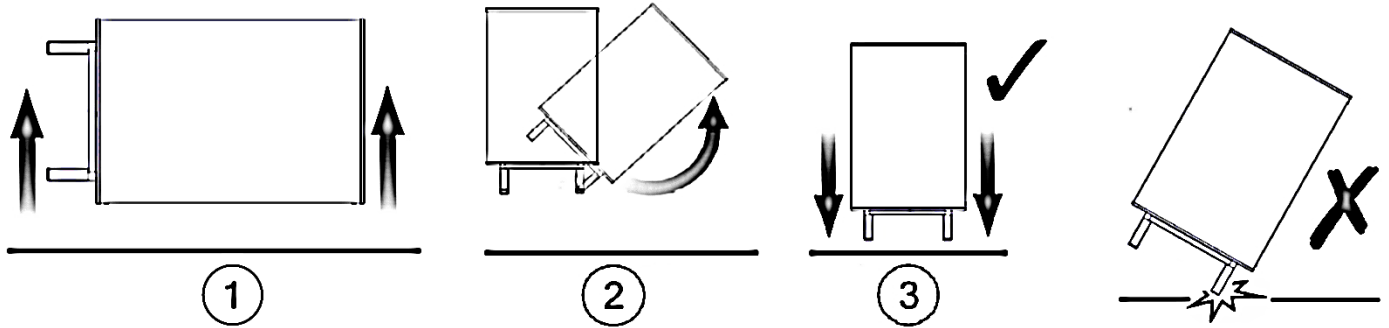
3.

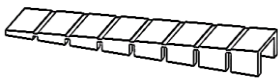


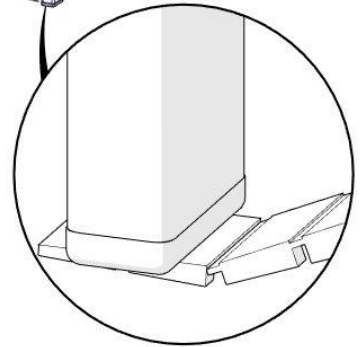
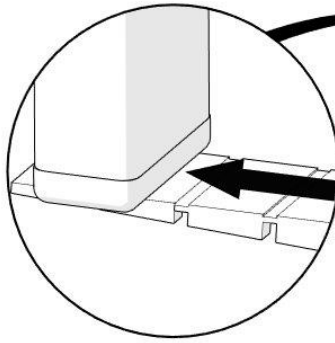
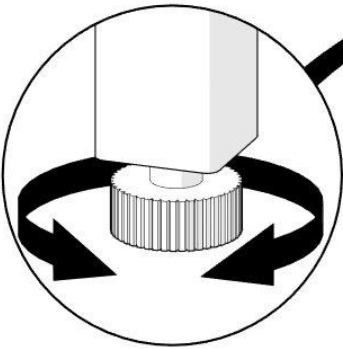
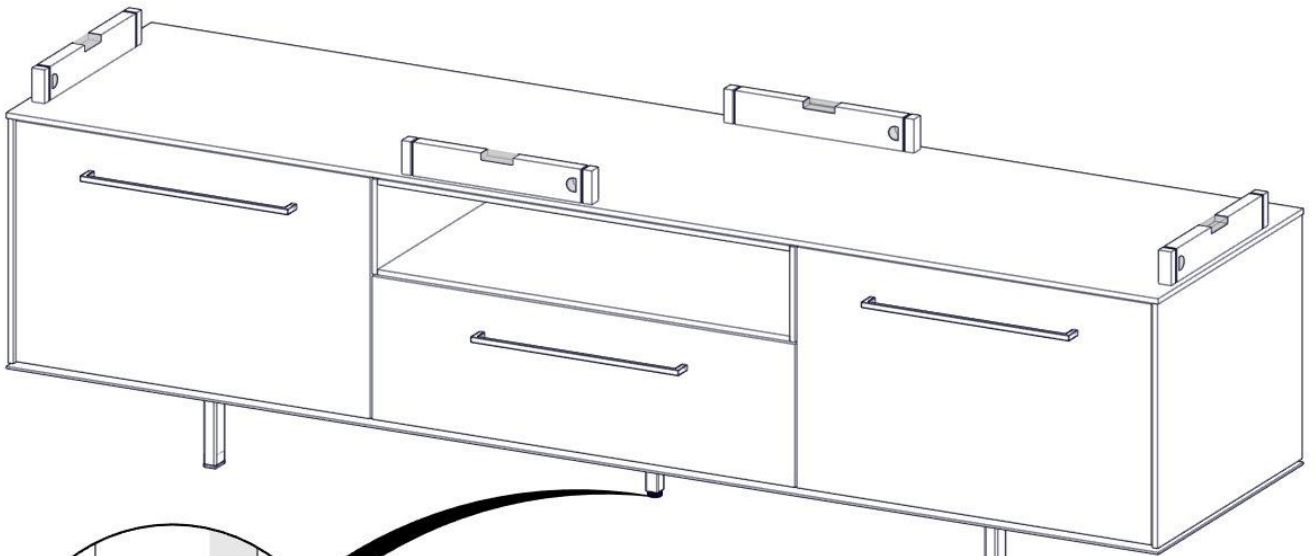
4.



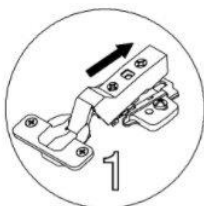
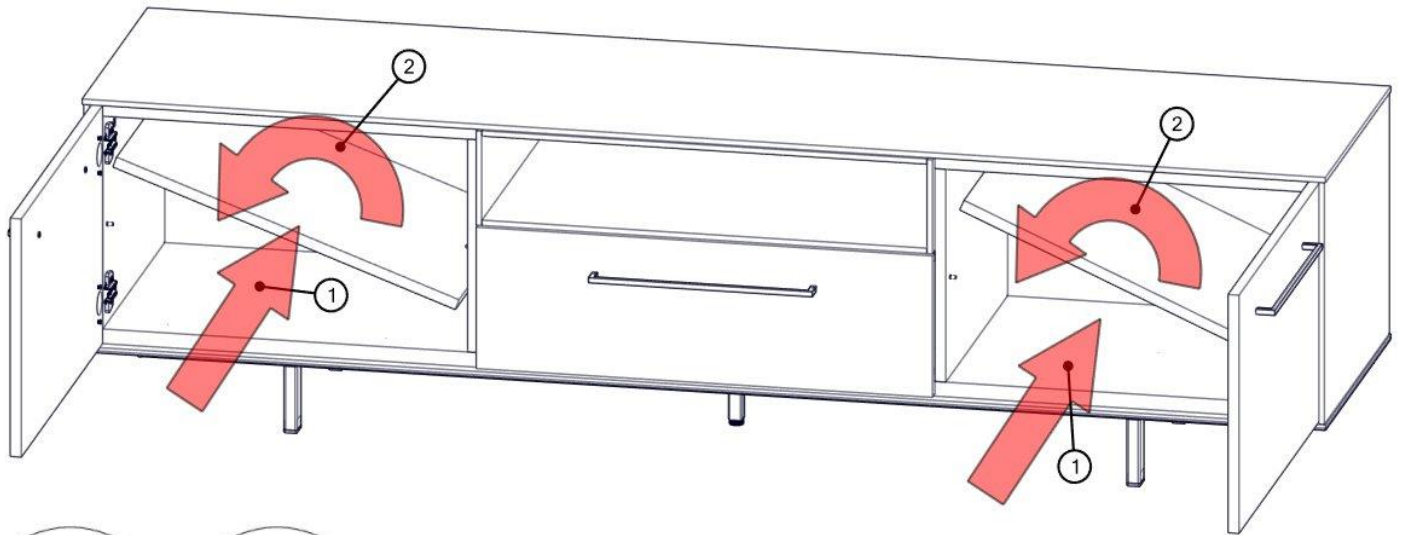
5.



6.  X2



7.



3

