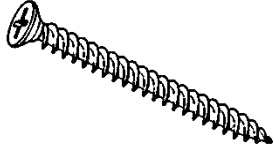
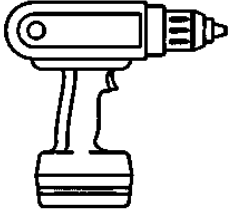
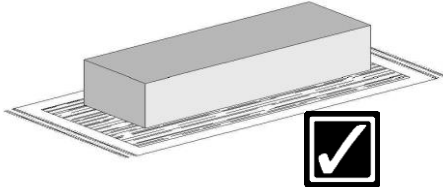


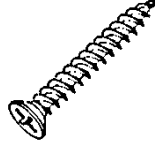


Lecce LI

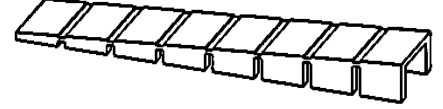




4x45 = 20x A

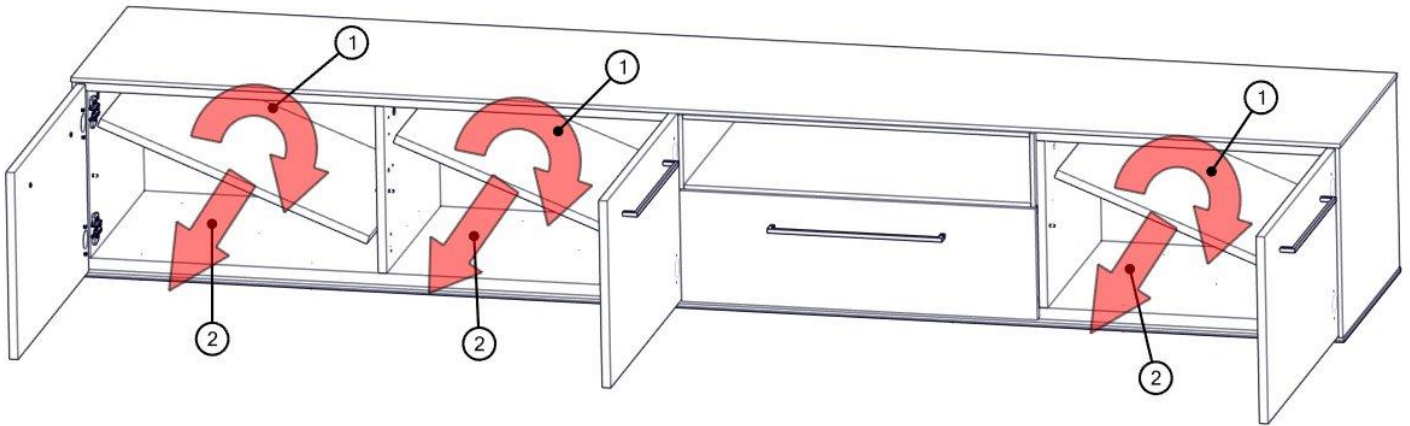


4x30 = 4x B

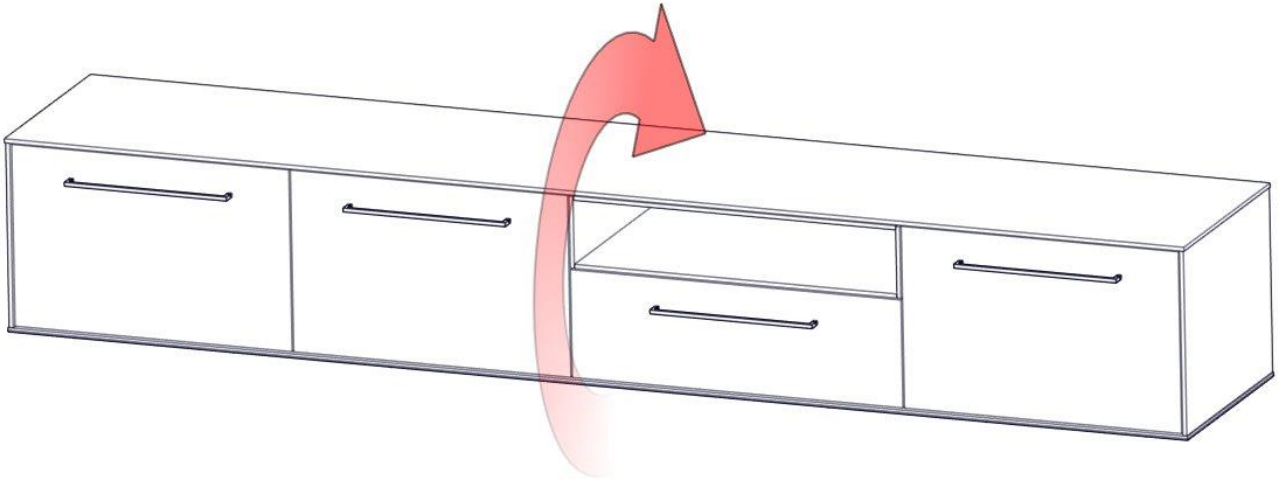


2x

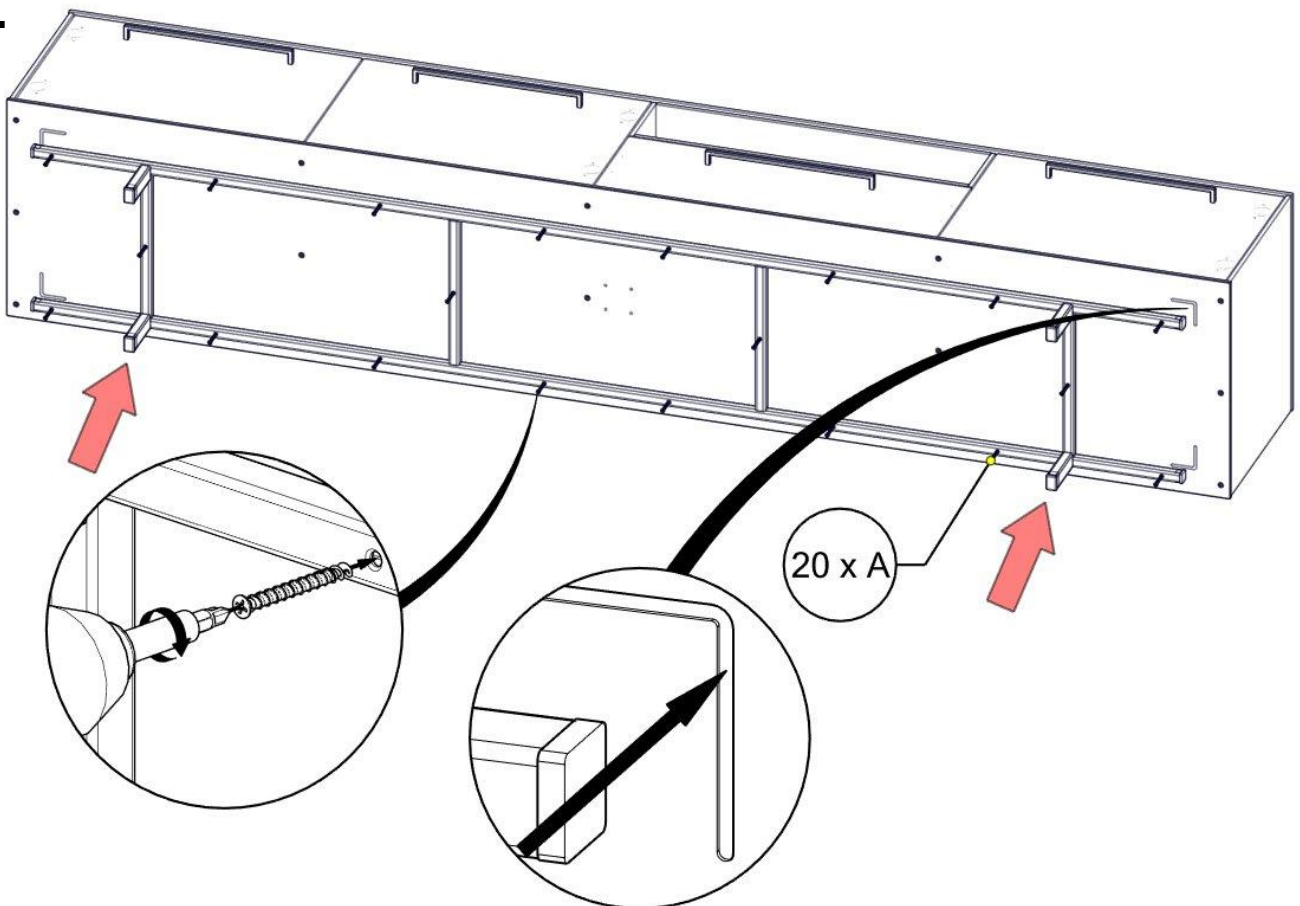
1.



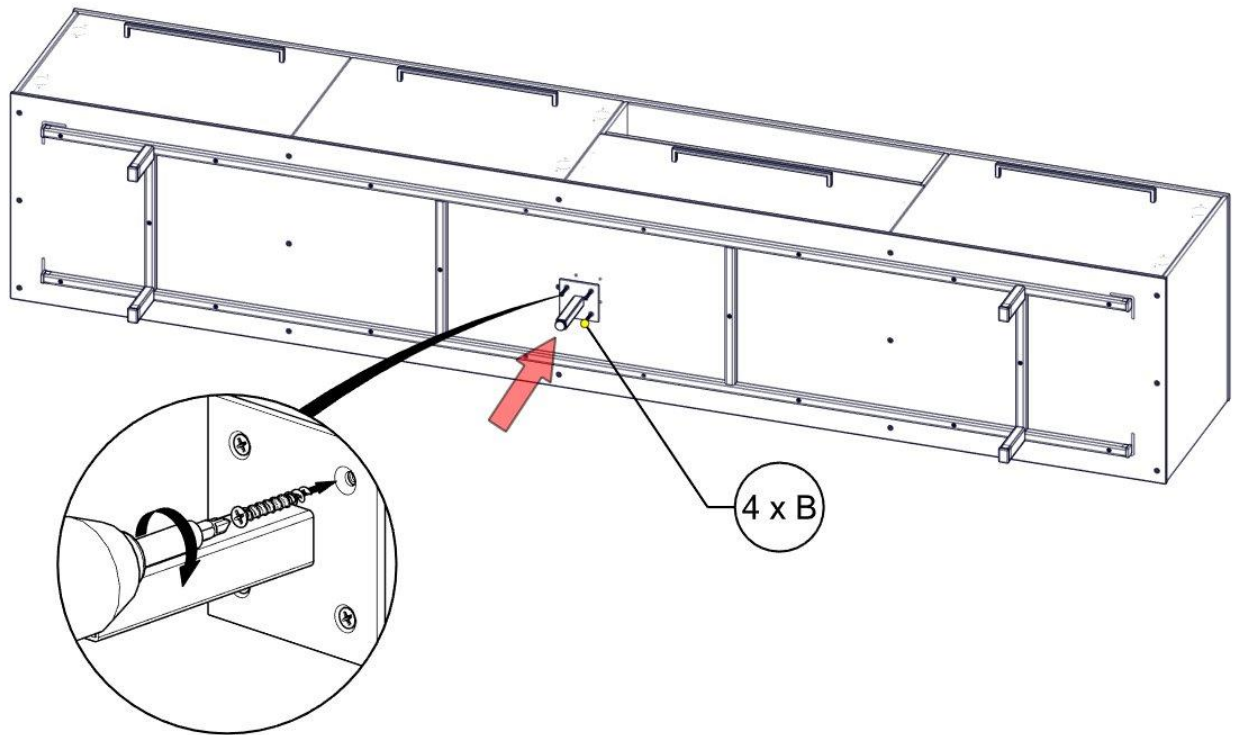
2.



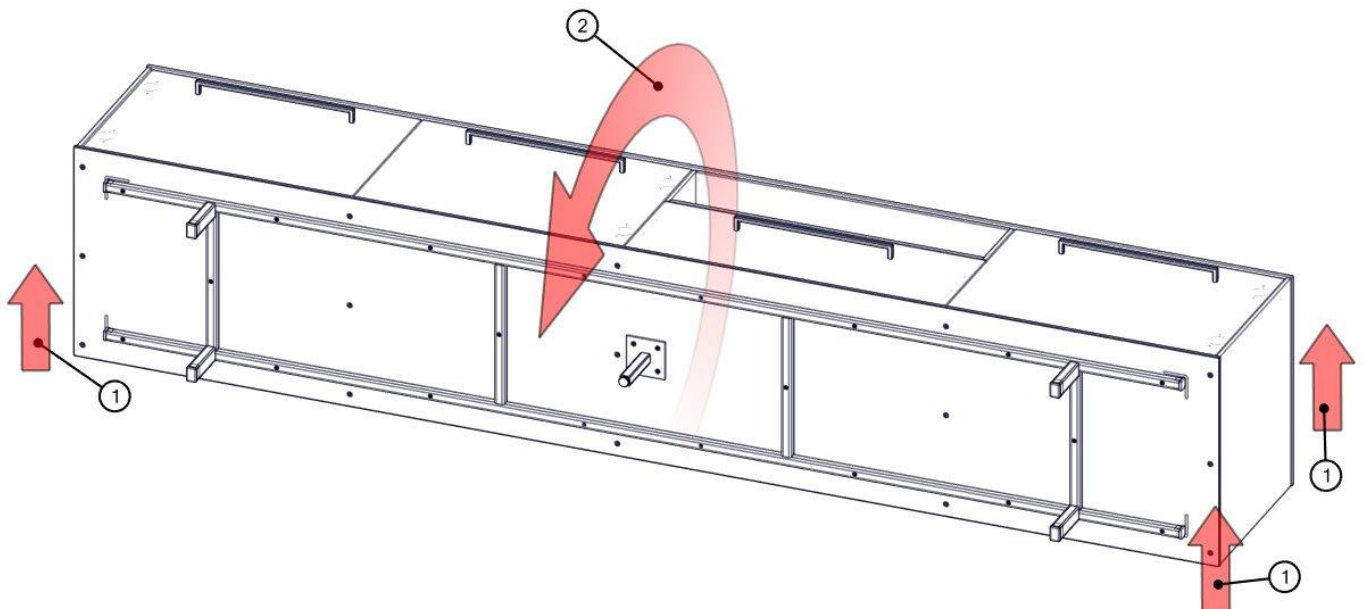
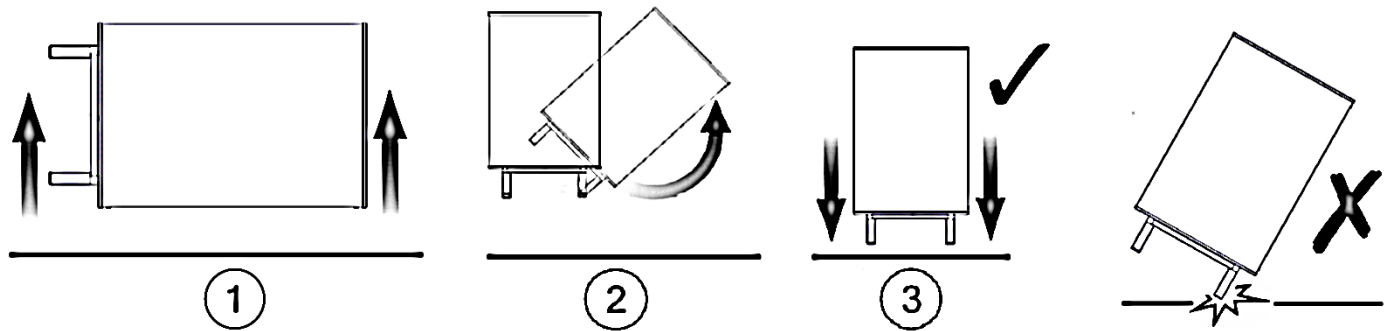
3.

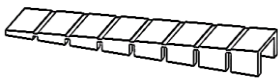


4.



5.



6.  X 2

