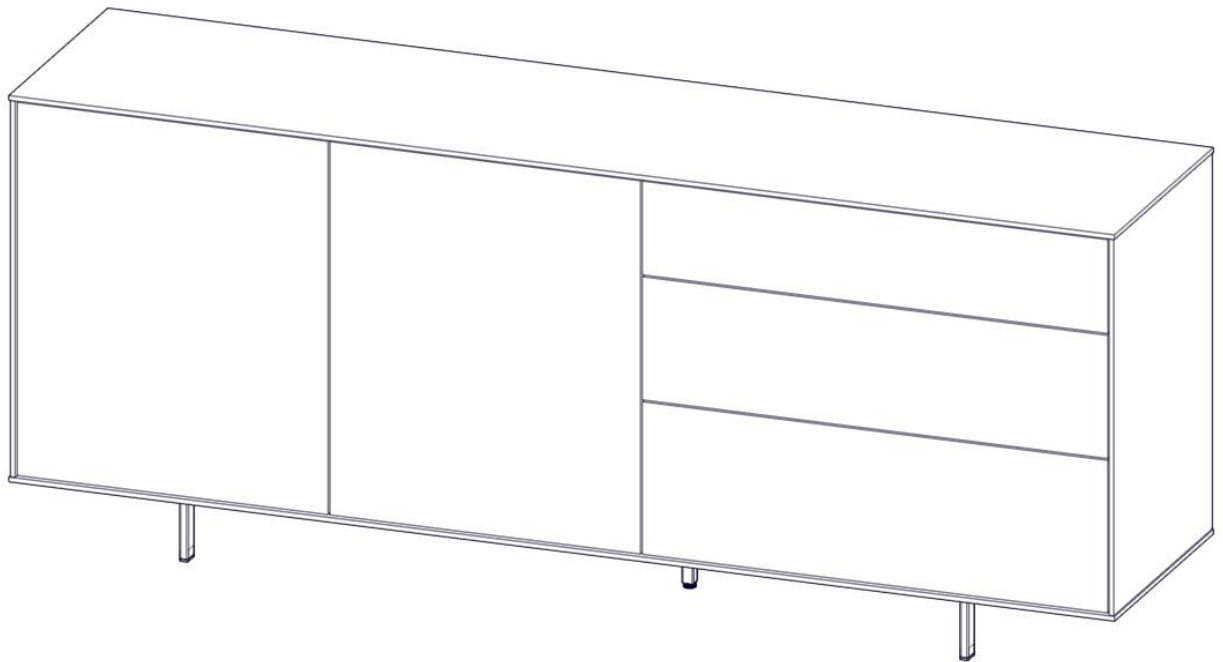
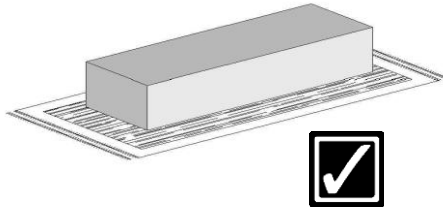




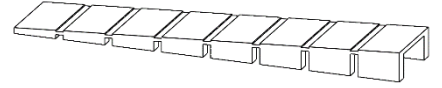
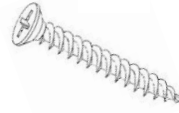
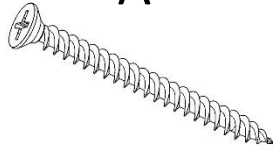
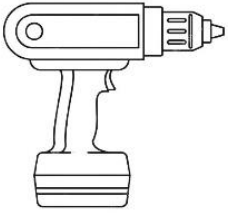
# Famous AB





A

B

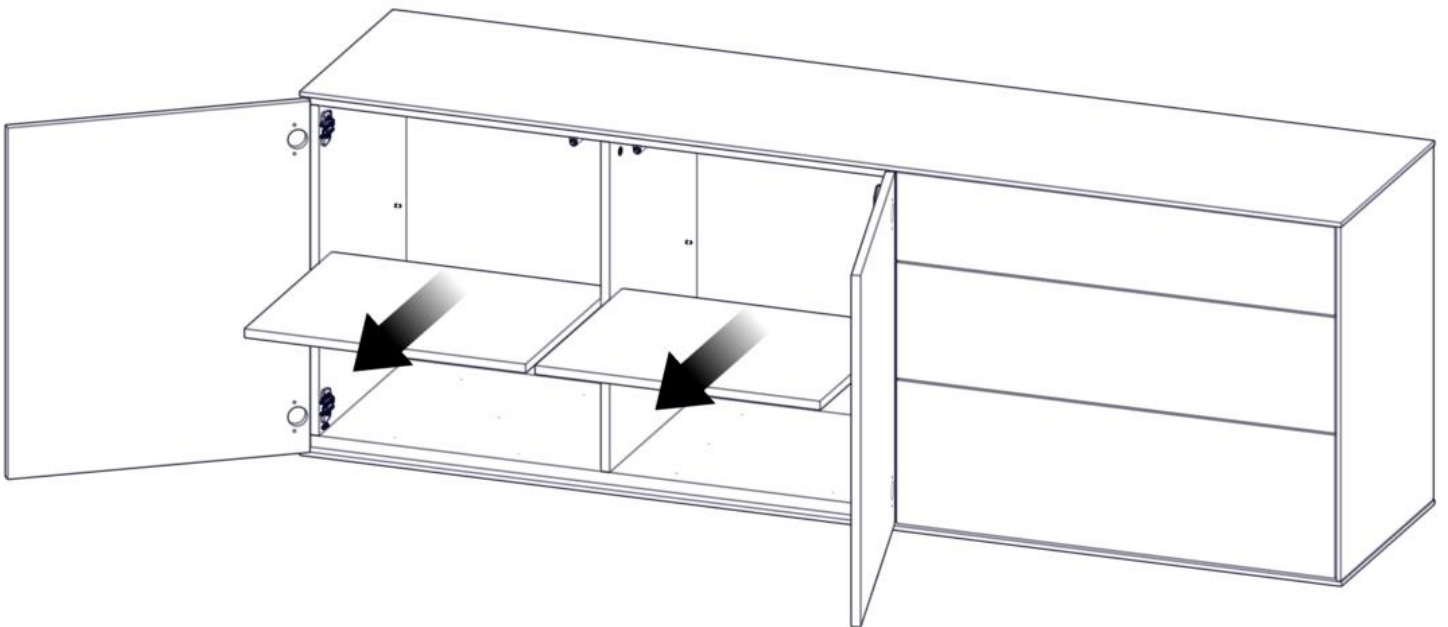


4x45 = 18x

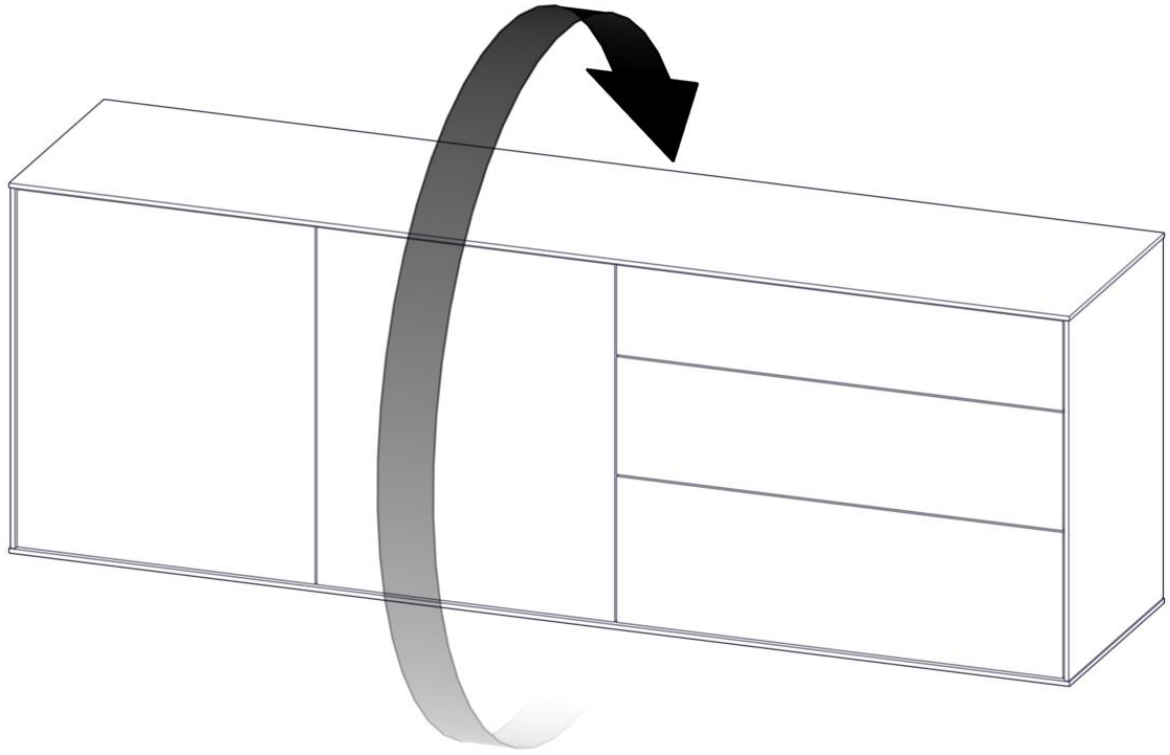
4x30 = 4x

2x

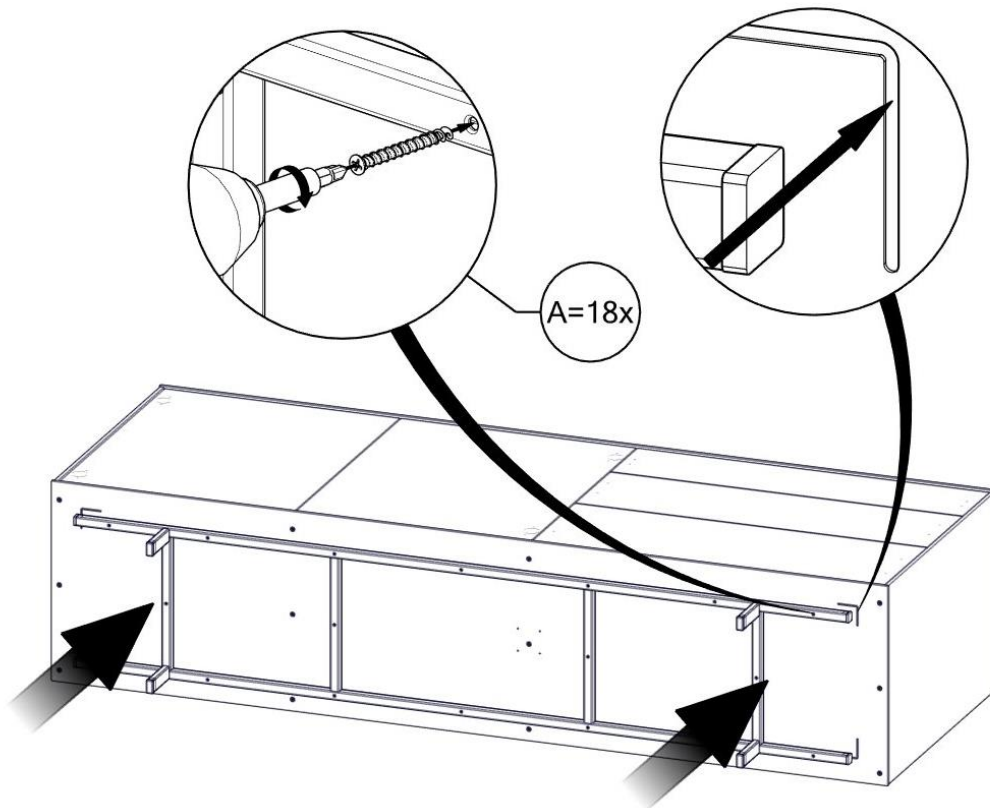
1.



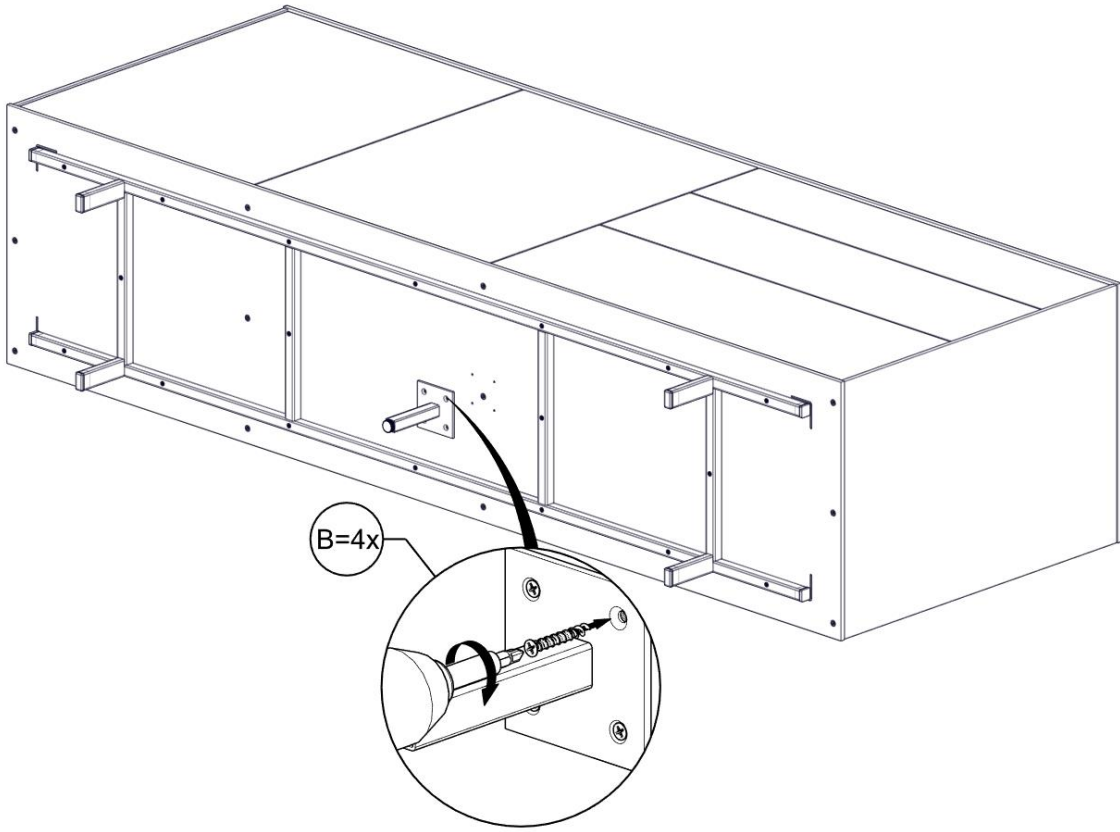
2.



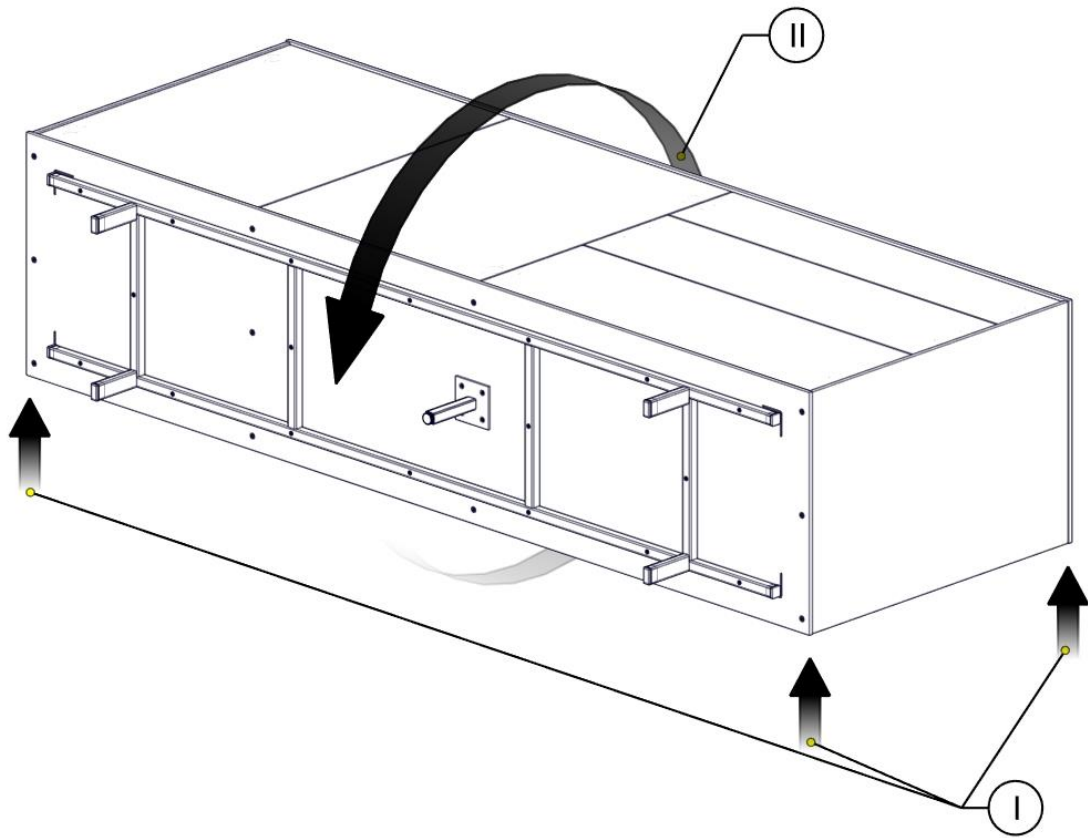
3.



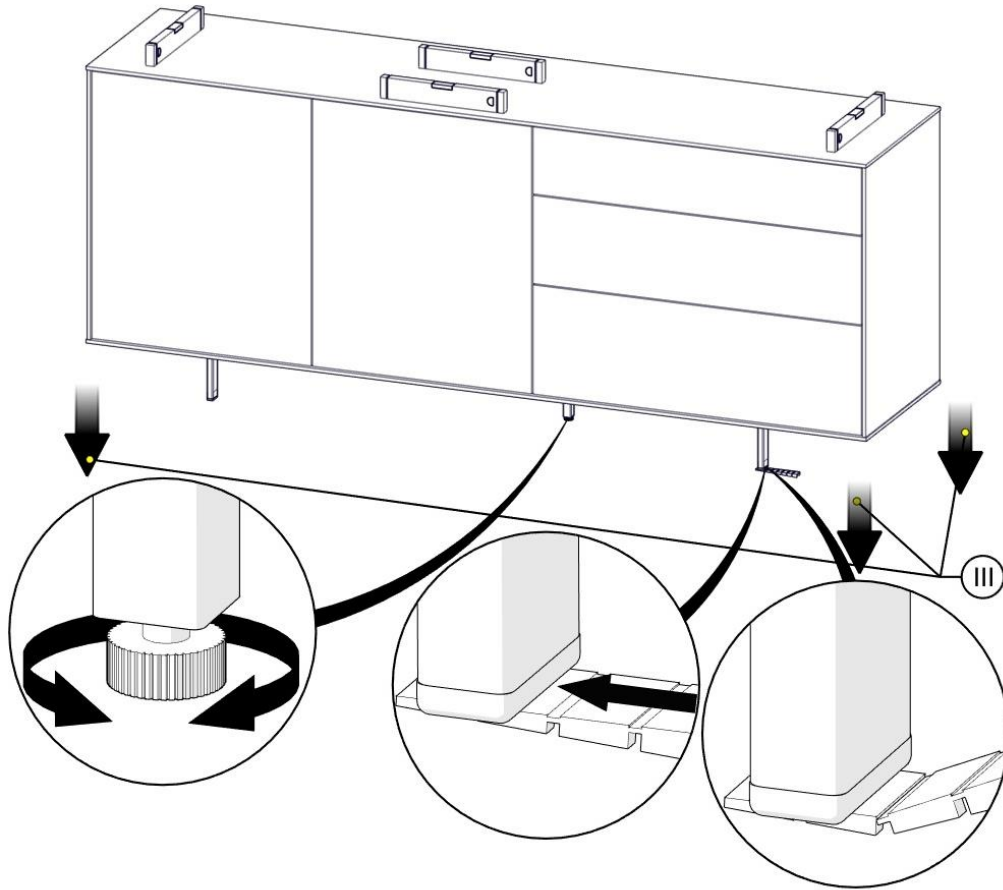
4.



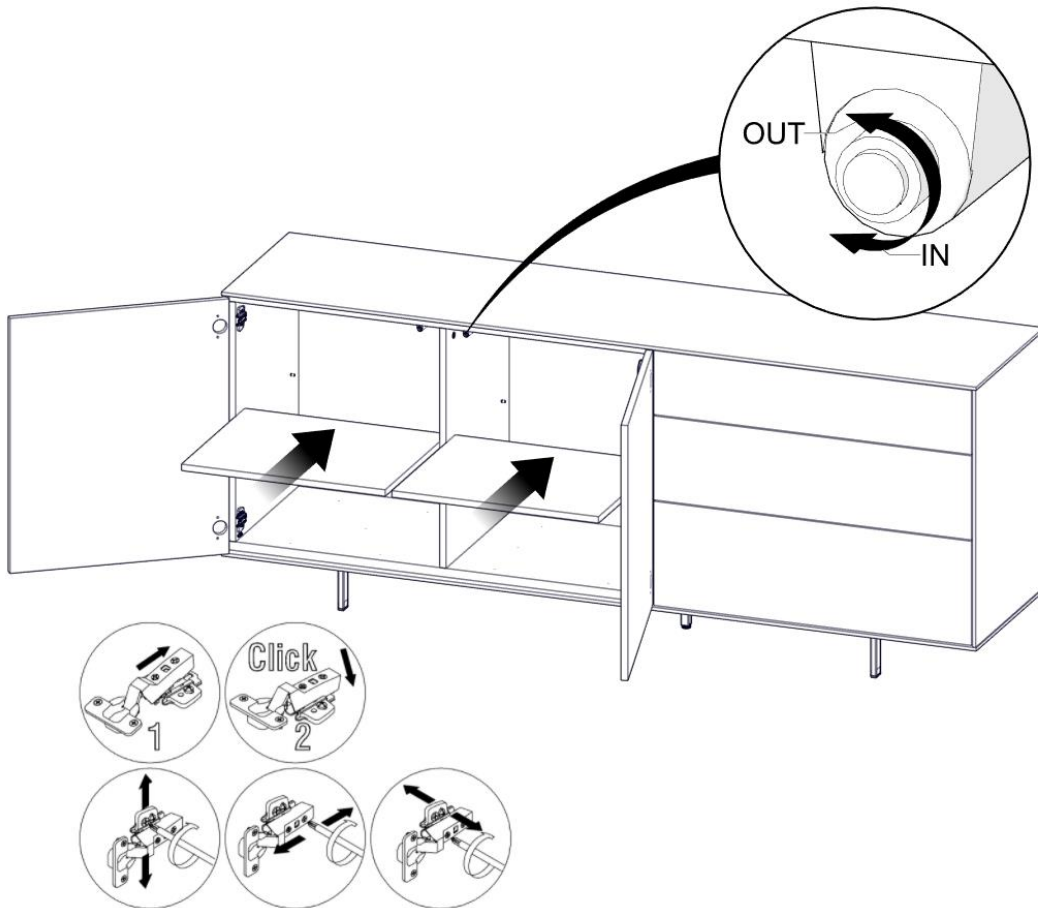
5.



6.



7



8.

