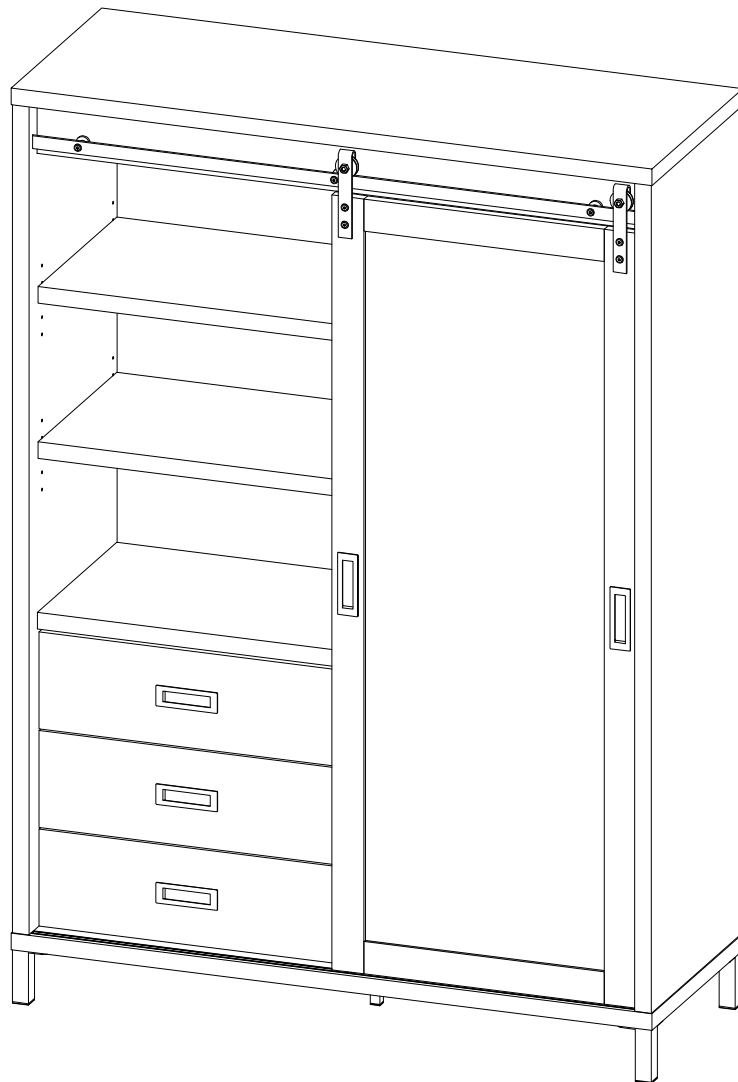
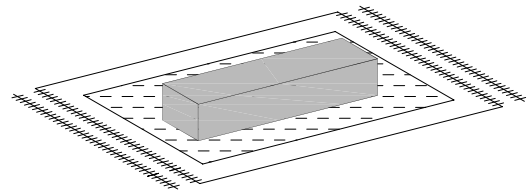
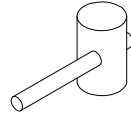
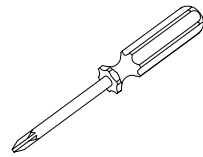
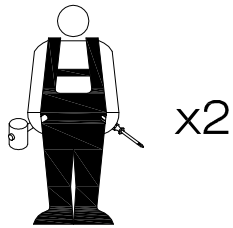


71074

STORAGE CABINET

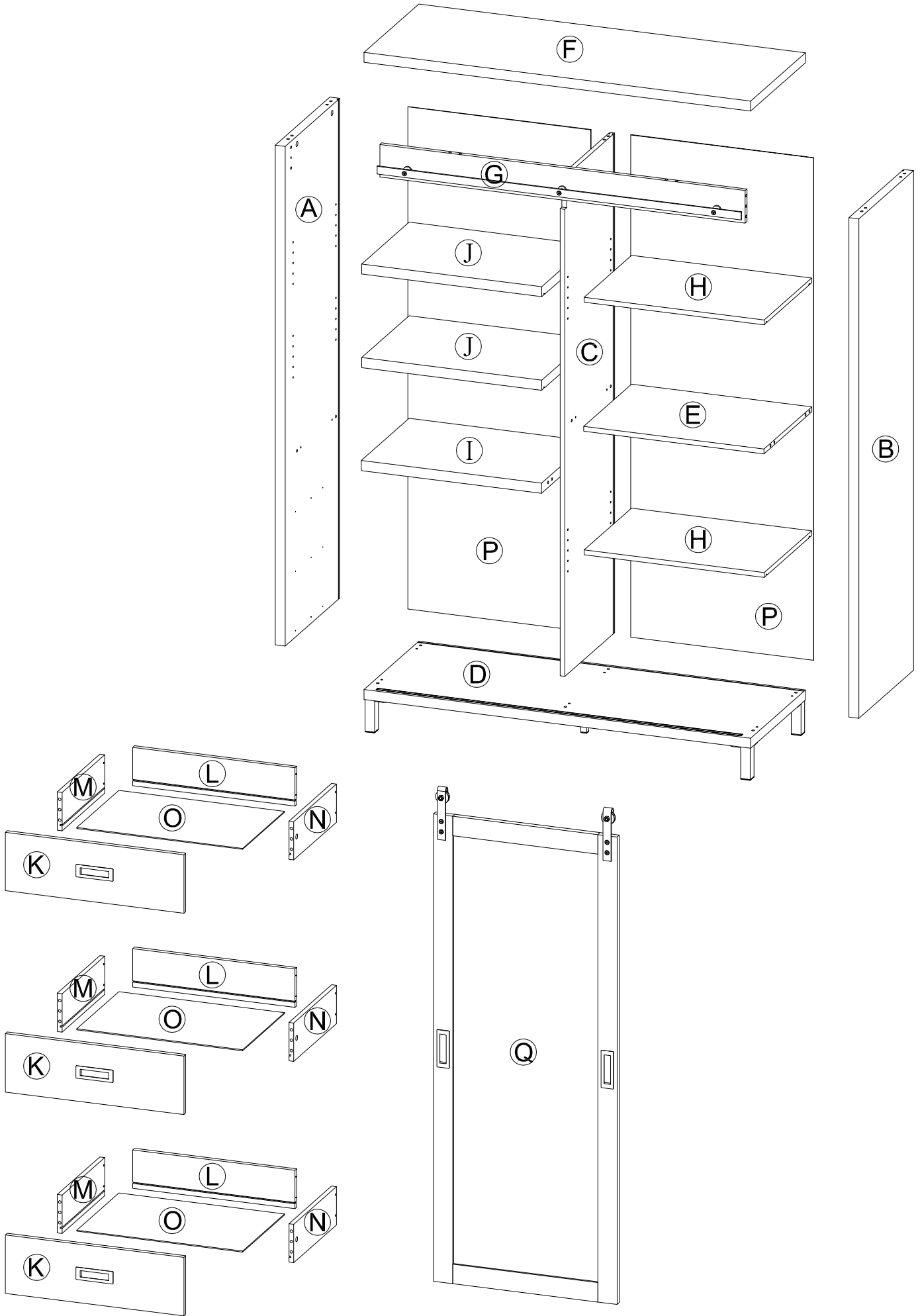
COMBIKAST



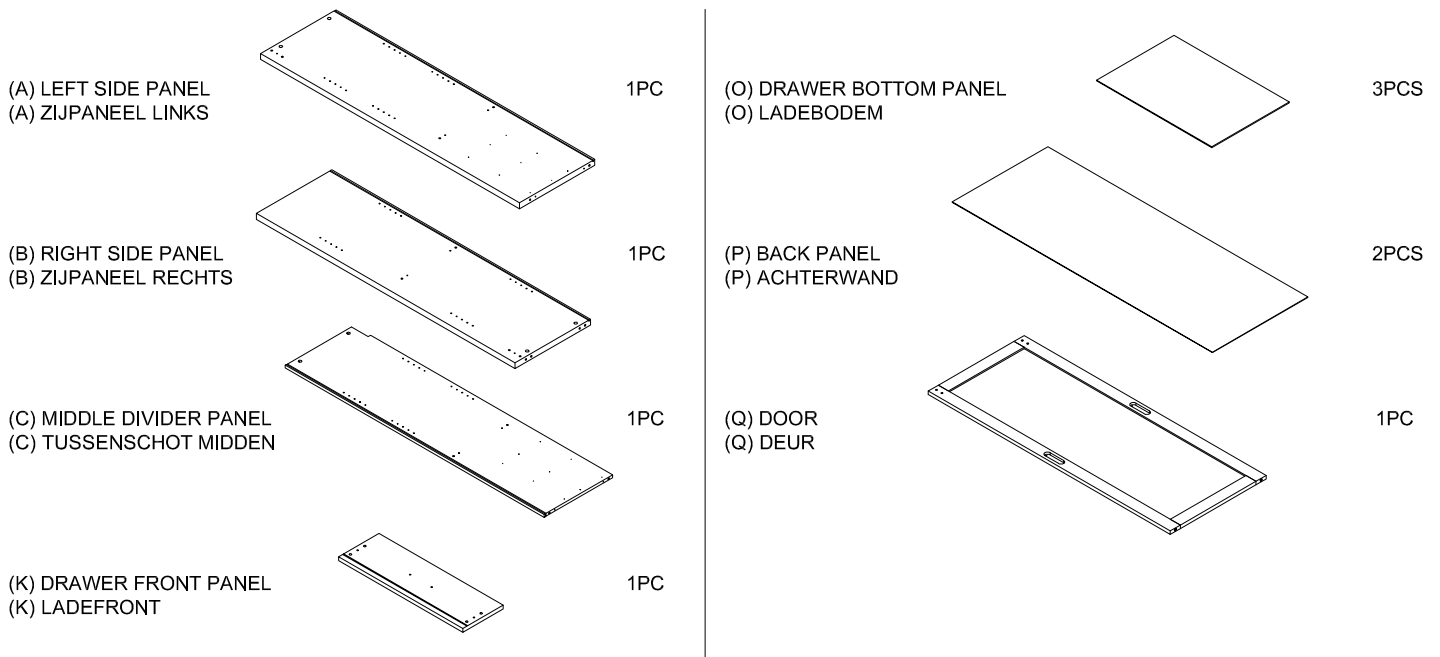


① x 1 40g	② x 38 ∅8 x 30mm	③ x 24 35mm	④ x 24 ∅15 x 12mm	⑤ x 6 55mm	
⑥ x 12 35mm	⑦ x 16 15mm	⑧ x 3 350mm	⑨ x 36 12mm	⑩ x 5 115mm	
⑪ x 10 ∅4 x 15mm	⑫ x 2 24mm	⑬ x 3 M6x43mm	⑭ x 4 M6x19mm	⑮ x 1 115mm	
⑯ x 4 30 x 30 x 97mm	⑰ x 1 18 x 18 x 95mm	⑱ x 10 ∅5 x 20mm	⑲ x 4 30 x 30mm	⑳ x 1 18 x 18mm	
㉑ x 8 16 x 8.5mm	㉒ x 8 19mm	㉓ x 4 ∅20mm	㉔ x 1 L = 1130mm	㉕ x 3 ∅25x25mm	
㉖ x 2 ∅40.5x160mm	㉗ x 2 42 x 42 x 2mm	㉘ x 1 42 x 42 x 2mm	㉙ x 1 30mm	㉚ x 1 28mm	㉛ x 1 19mm

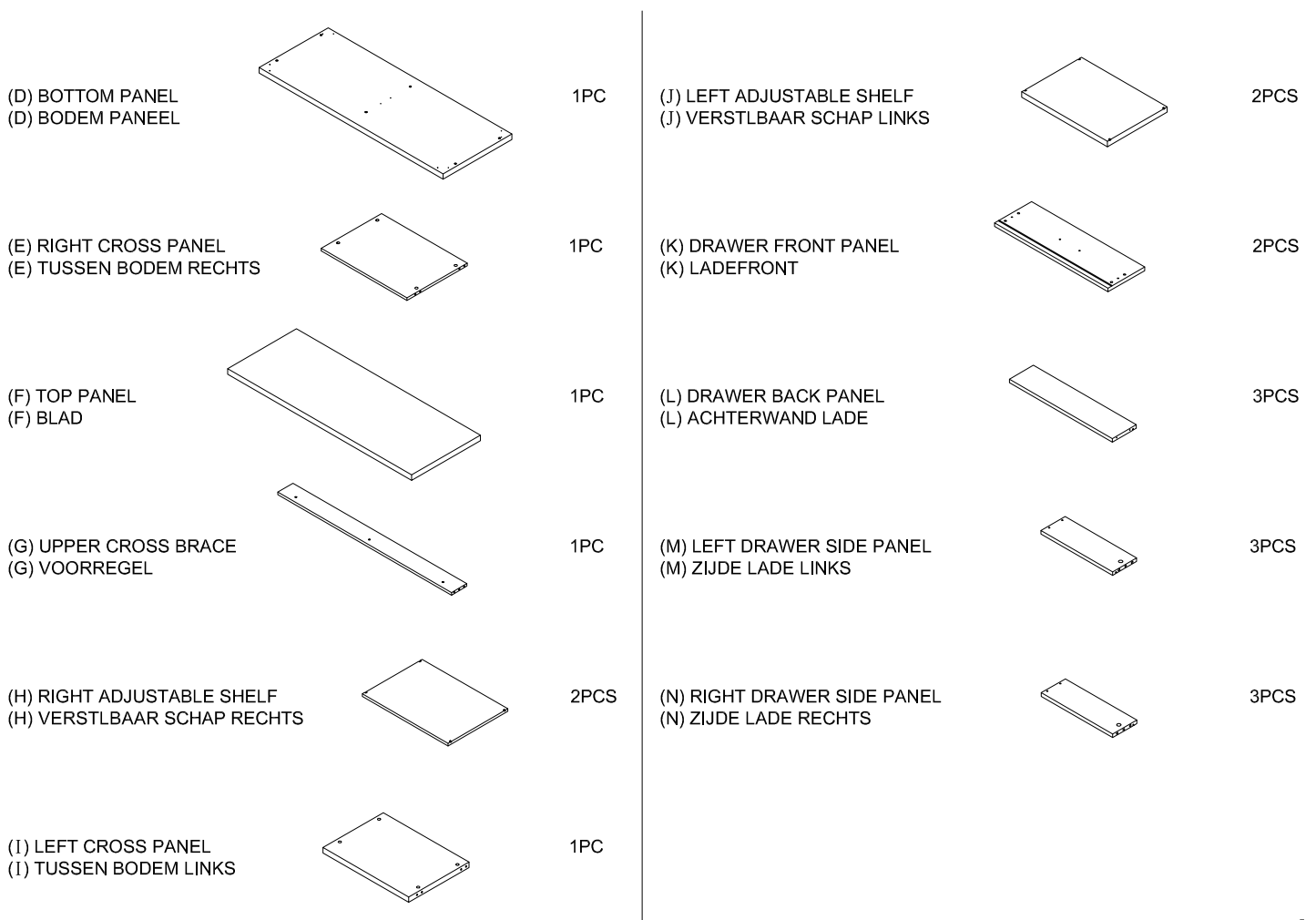
**HARDWARE PACK IS LOCATED IN B1
BESLAG VERPAKT IN PAKKET 1 / 2**



B1 PARTS IDENTIFICATION : 1/2 BESCHRIJVING ONDERDELEN :

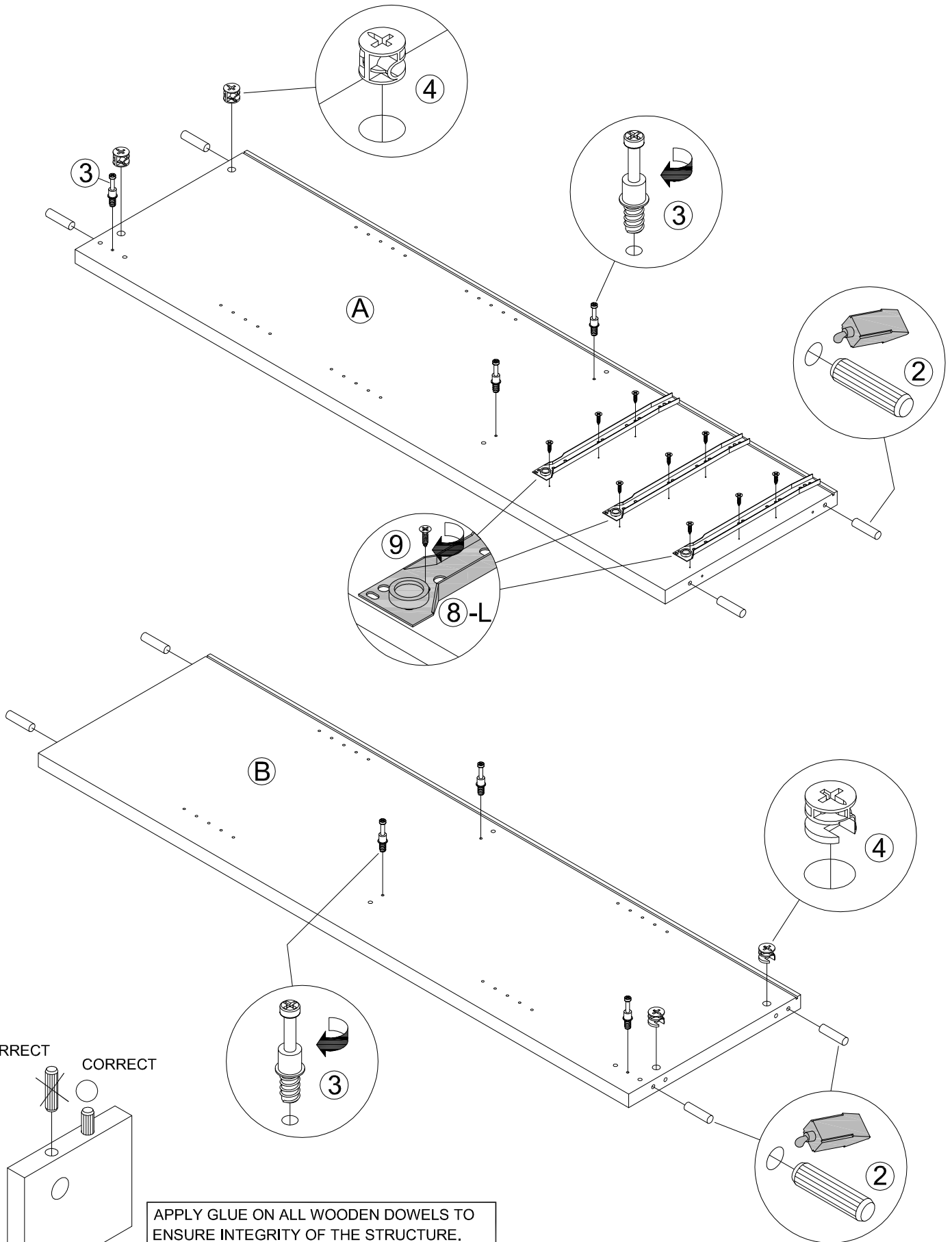


B2 PARTS IDENTIFICATION : 2/2 BESCHRIJVING ONDERDELEN :

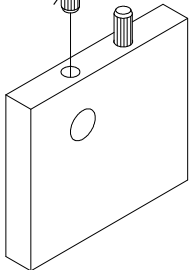


- ② x 8
- ③ x 6
- ④ x 4
- ⑧ x 3L
- ⑨ x 9
12mm

1

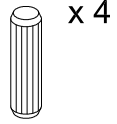


INCORRECT CORRECT

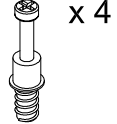


APPLY GLUE ON ALL WOODEN DOWELS TO ENSURE INTEGRITY OF THE STRUCTURE.
BRENG LIJM AAN OP ALLE HOUTEN DEUVELS TEN BEHOEVE VAN DE STEVIGHEID.

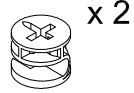
2



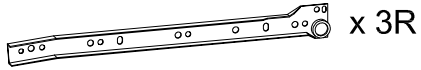
3



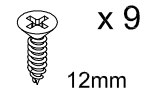
4



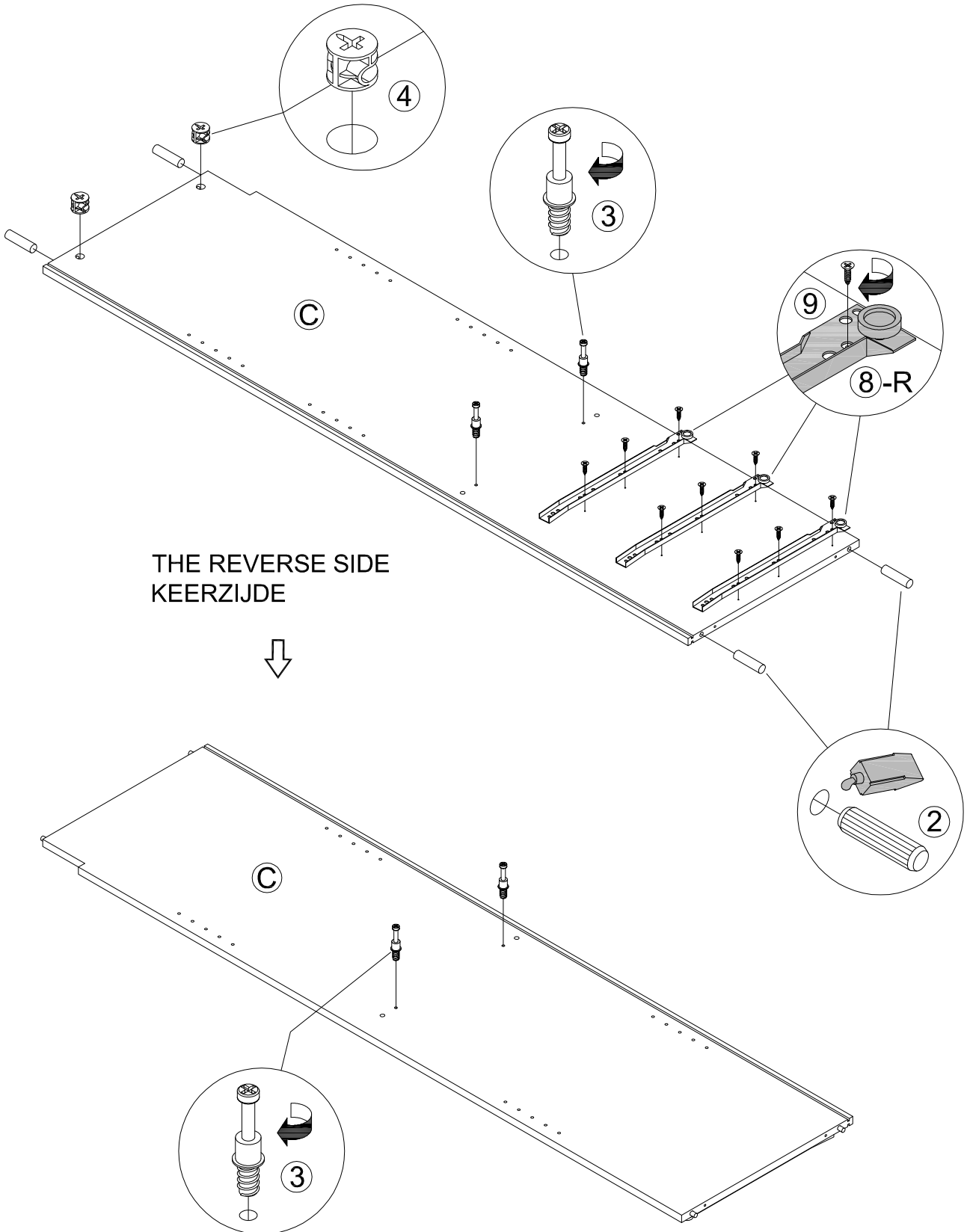
8



9

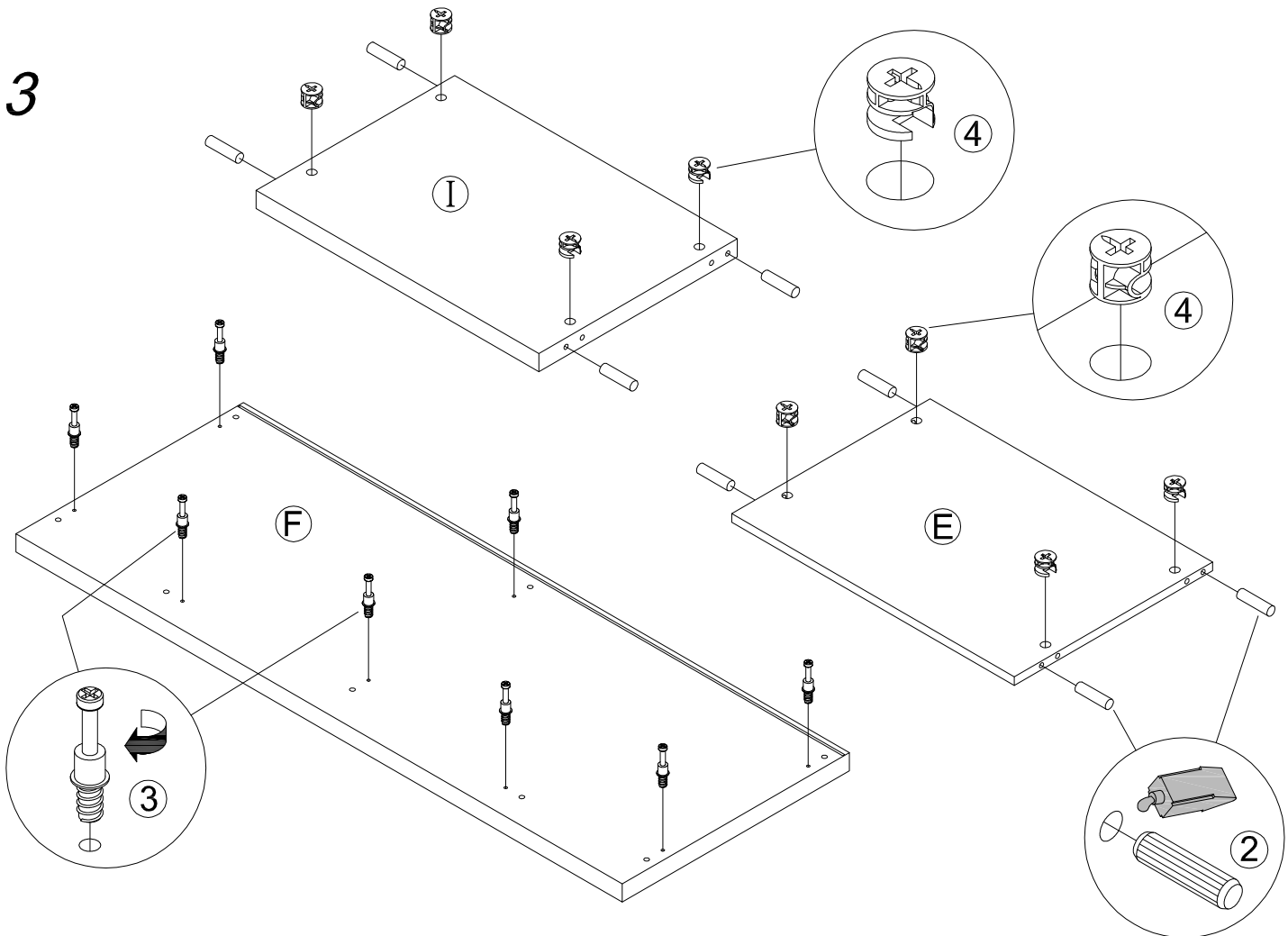


2



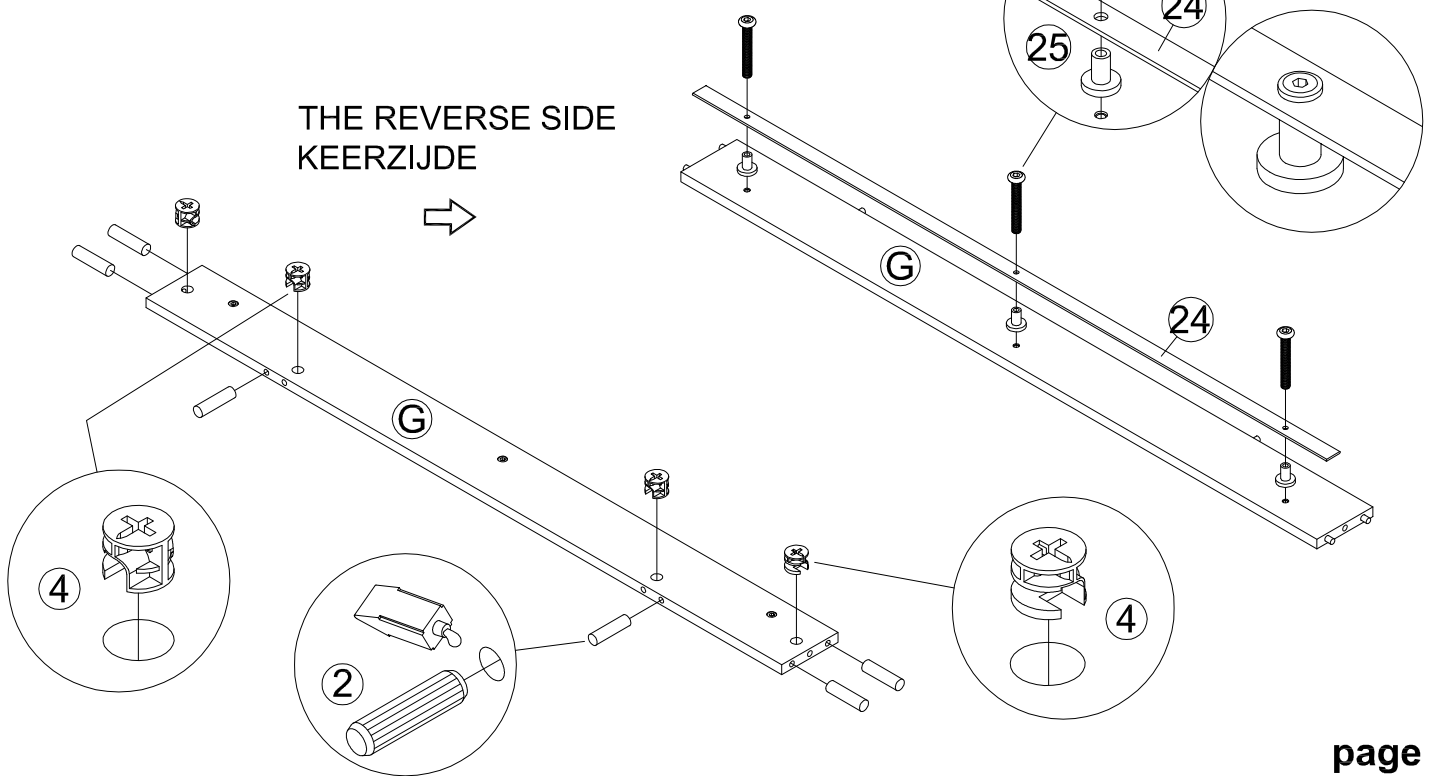
- ② x 14
- ③ x 8
- ④ x 12
- ②⑤ x 3
- ⑬ x 3
43mm
- ⑮ x 1

3



4

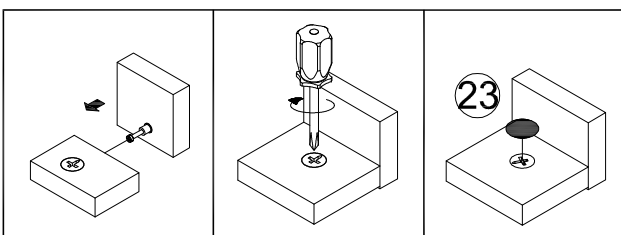
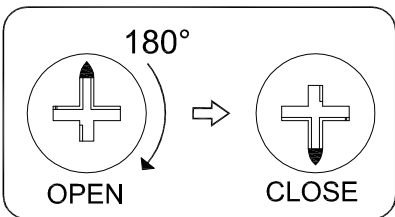
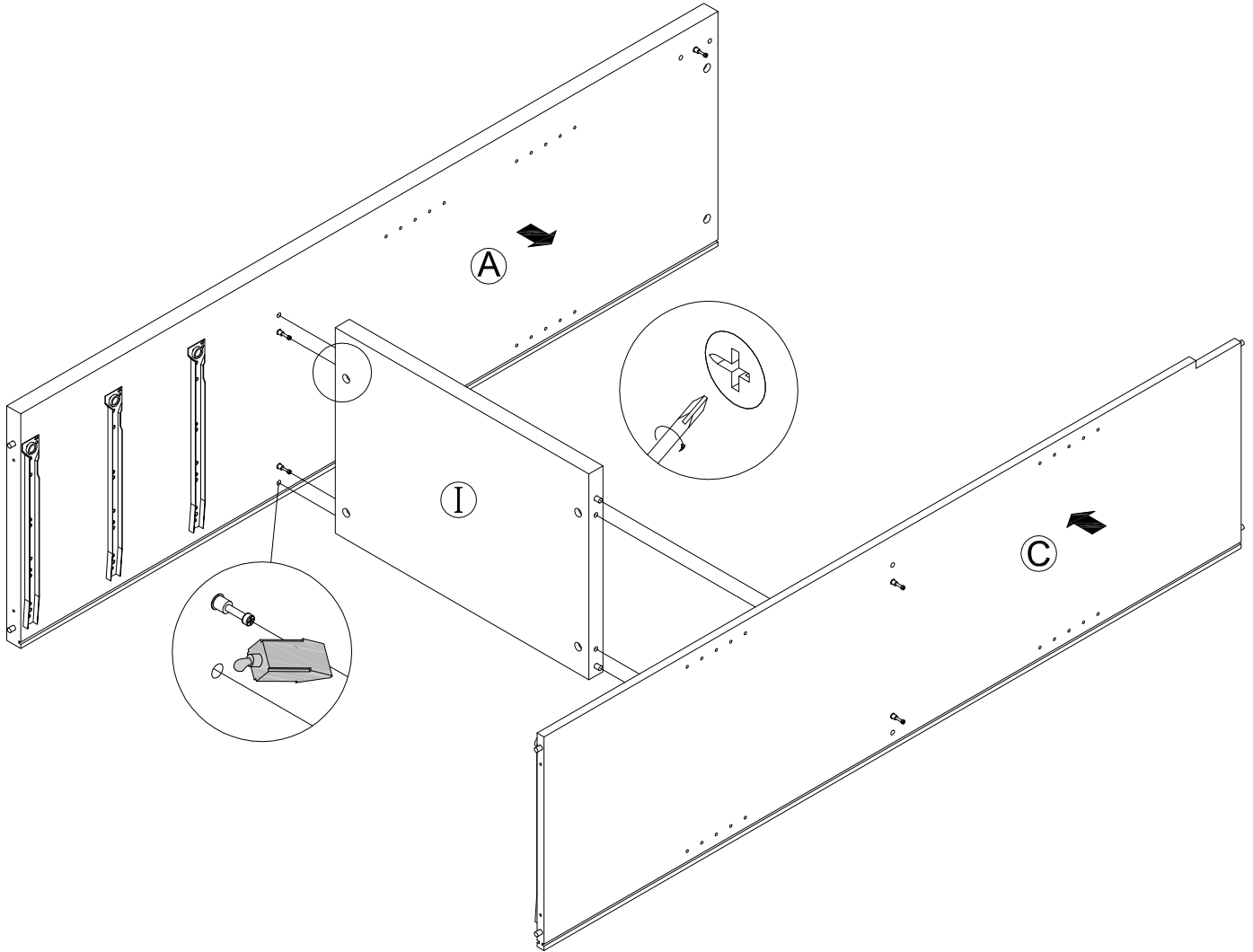
THE REVERSE SIDE
KEERZIJDE



23

x 4

5

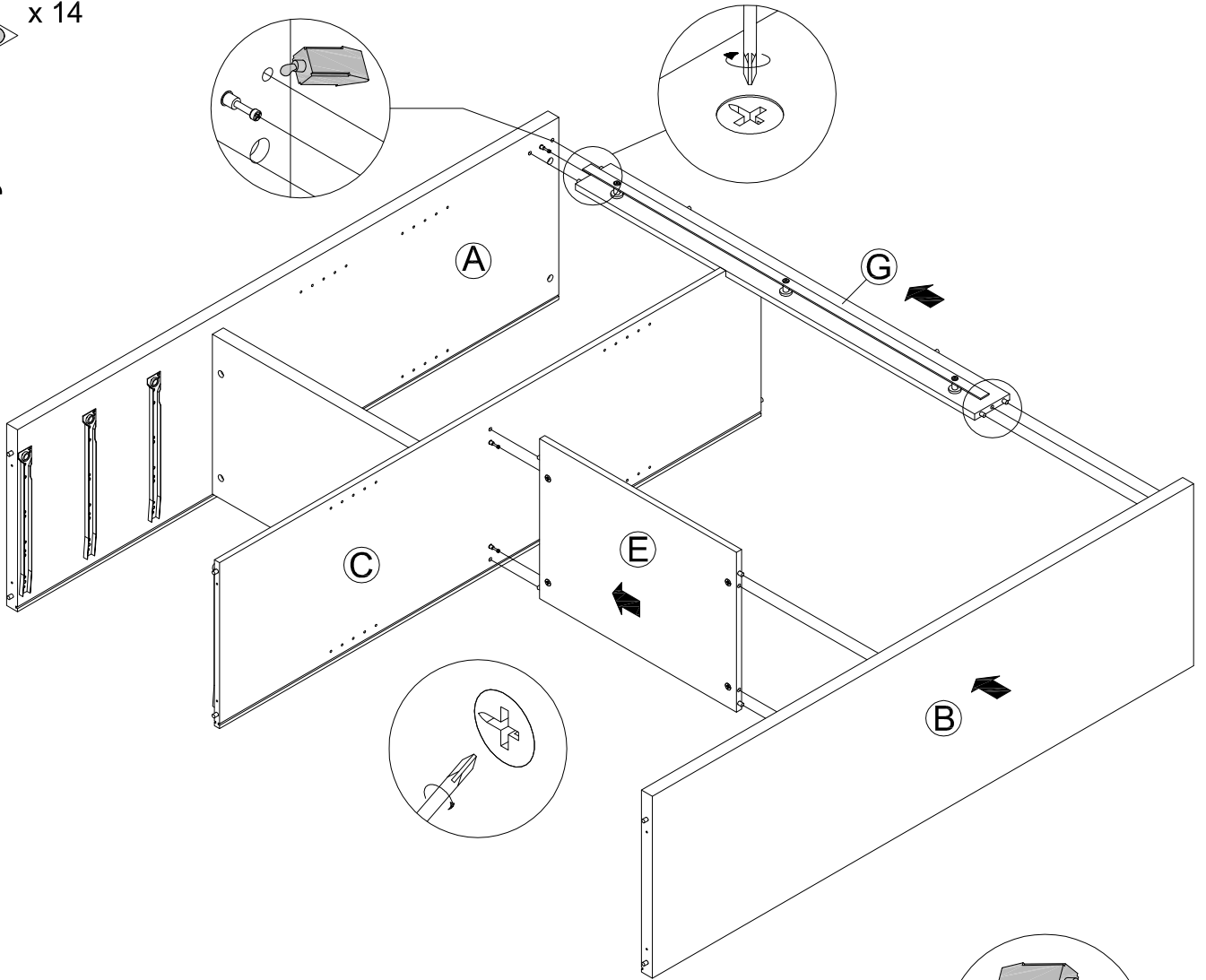


WHEN CAM BOLTS (3) IS ATTACHED, INSERT CAM LOCKS (4)
AN TIGHTLY FASTEN BY TURNING CLOCKWISE.
SCHUIF DE CONNECTOR (4) ERIN ZODRA DE CONNECTOR PIN (3)
AANGEBRACHT IS EN BEVESTIG DEZE STEVIG DOOR MET DE
KLOK MEE TE DRAAIEN.

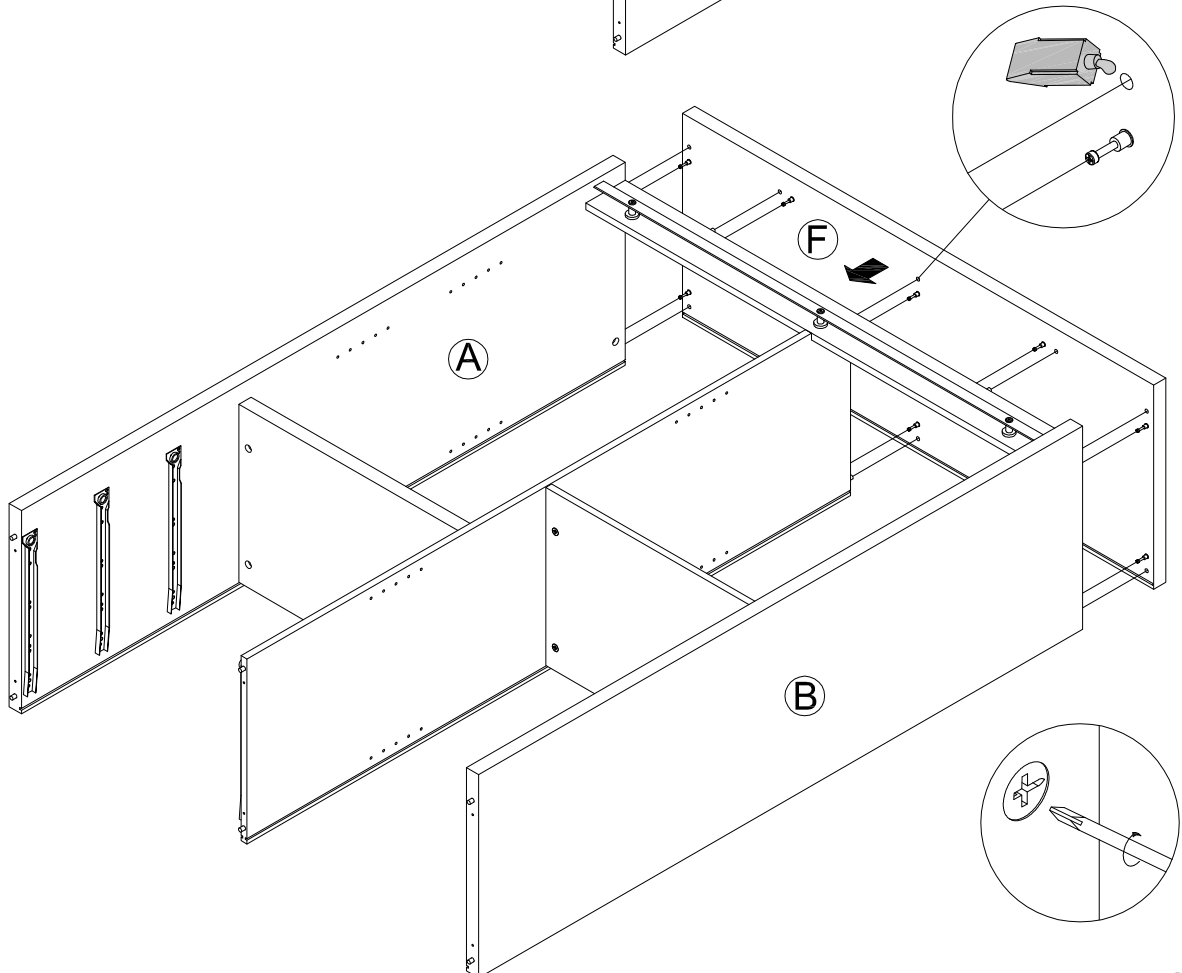
23

x 14

6

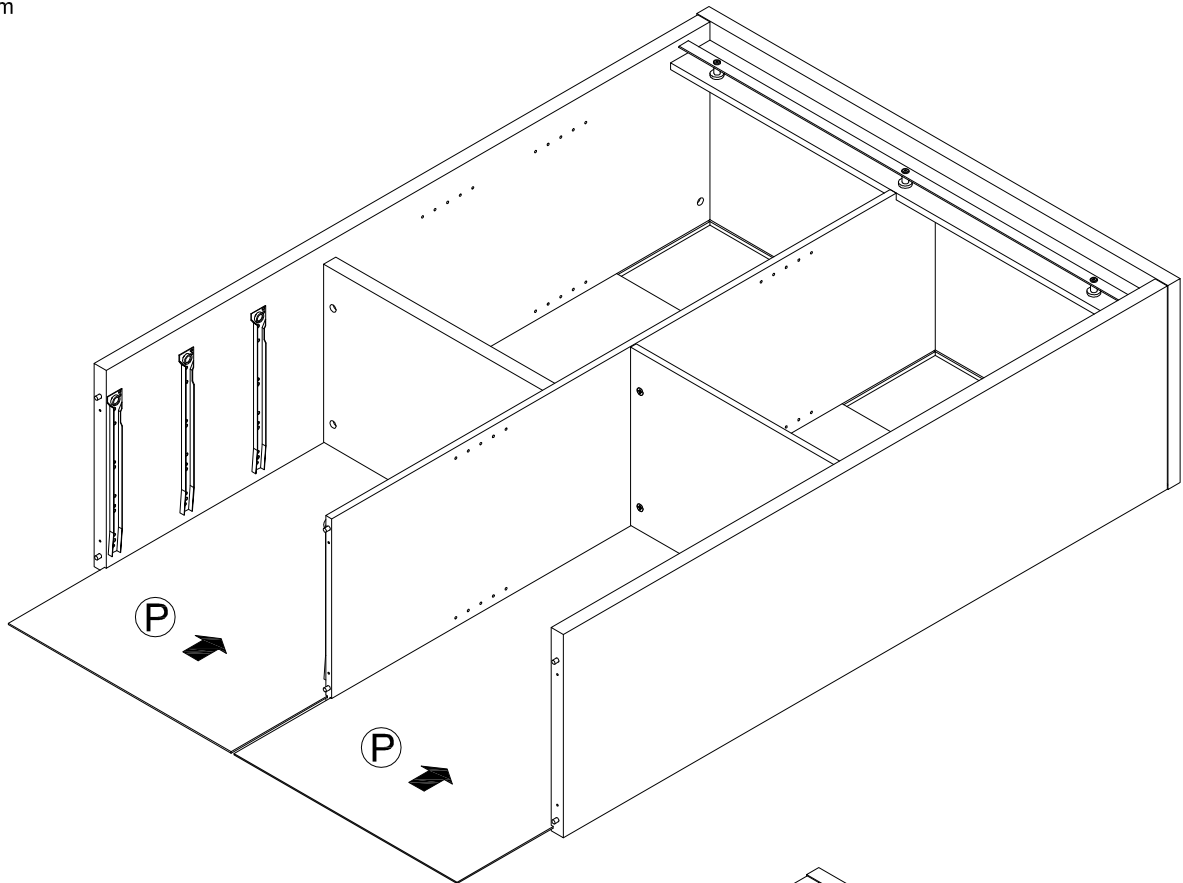


7

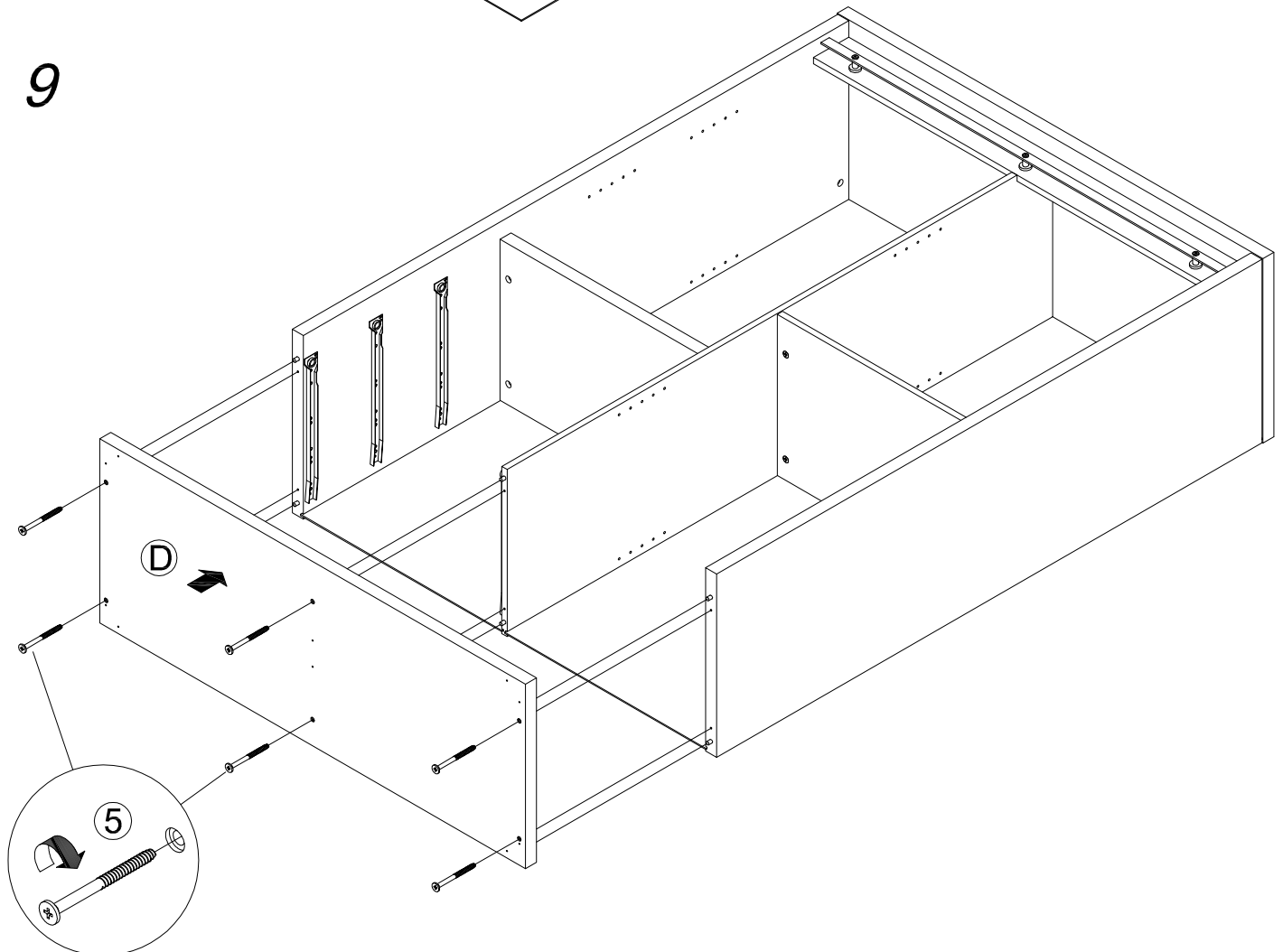


5
x 6
55mm

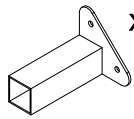
8

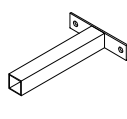



9




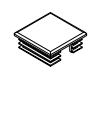
- 16 x 4


- 17 x 1

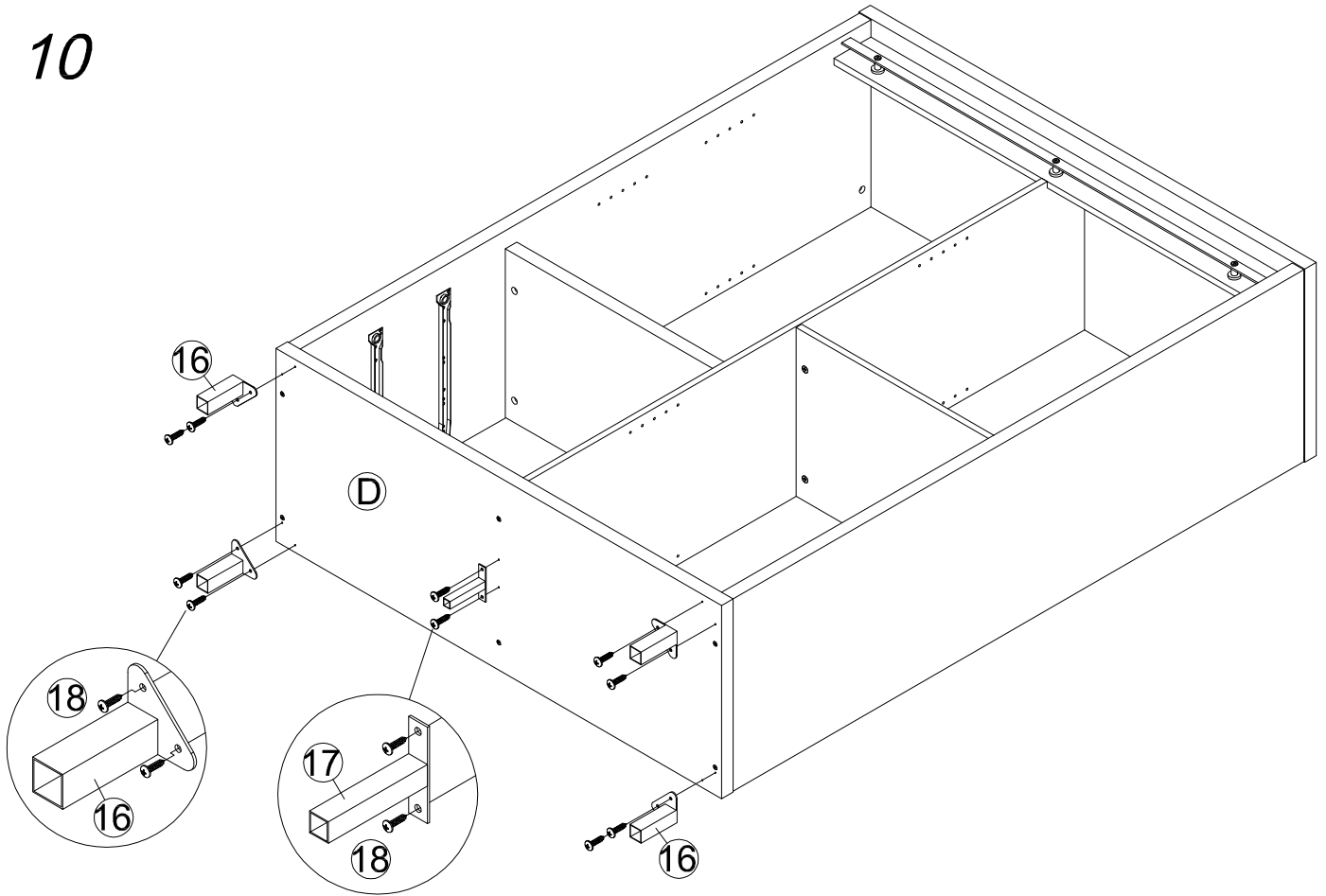

- 18 x 10
20mm


- 19 x 4

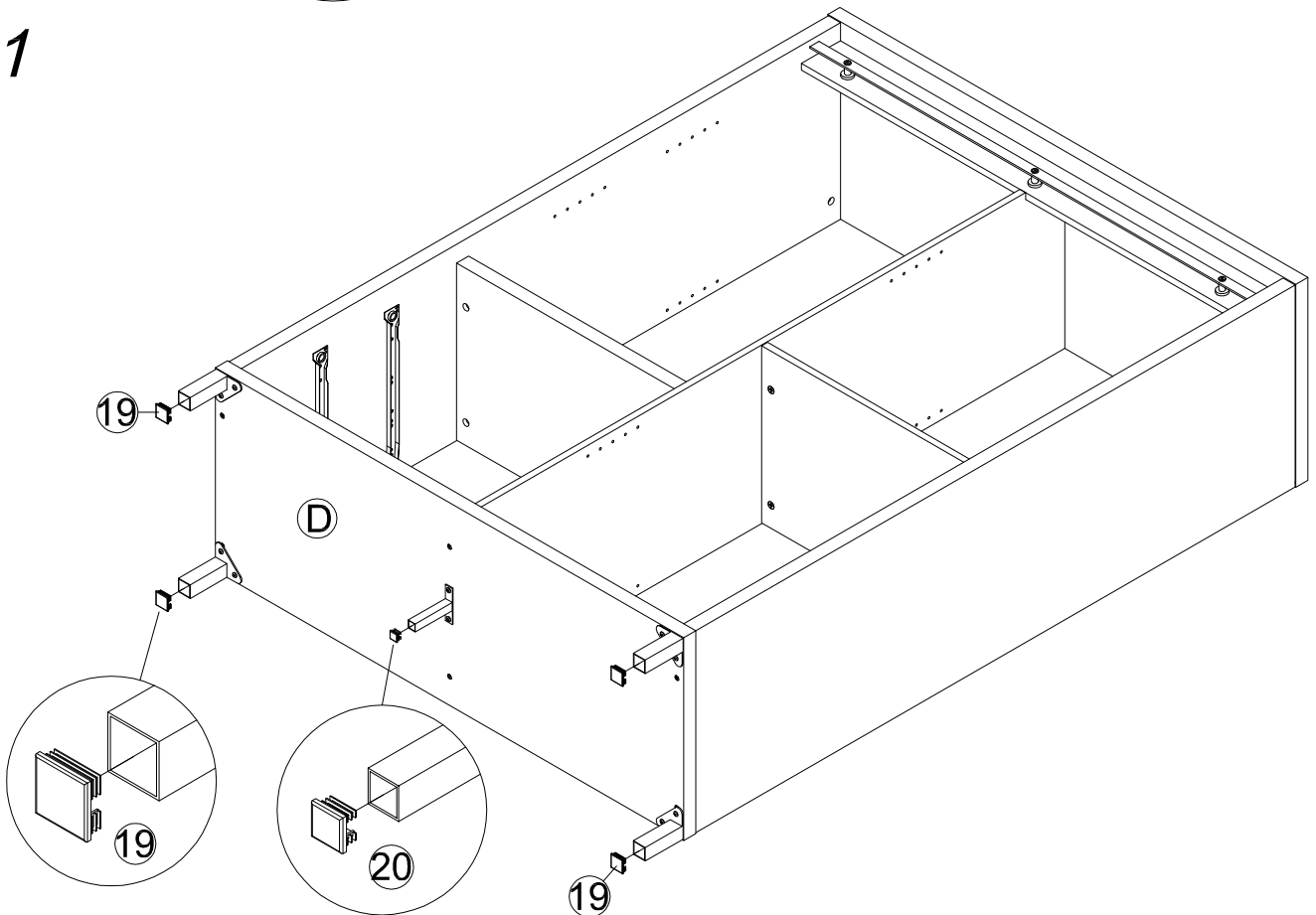

- 20 x 1



10



11

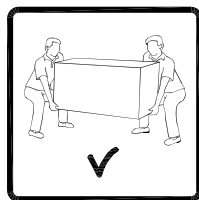
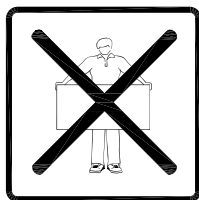
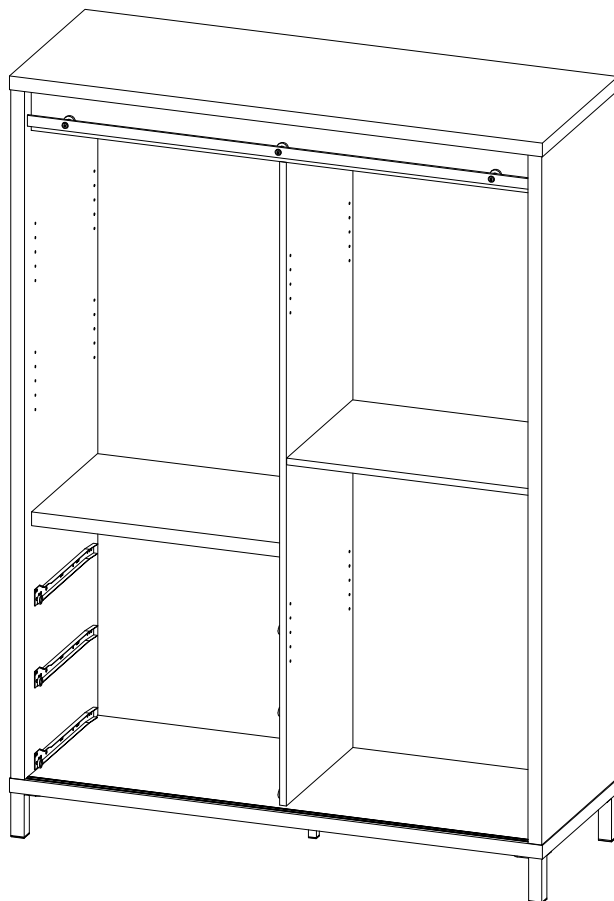


7

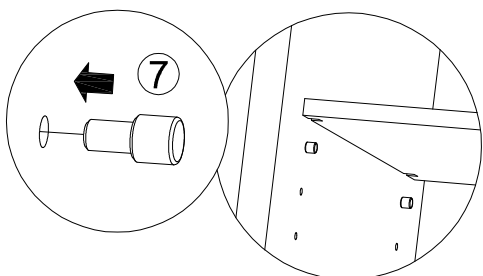
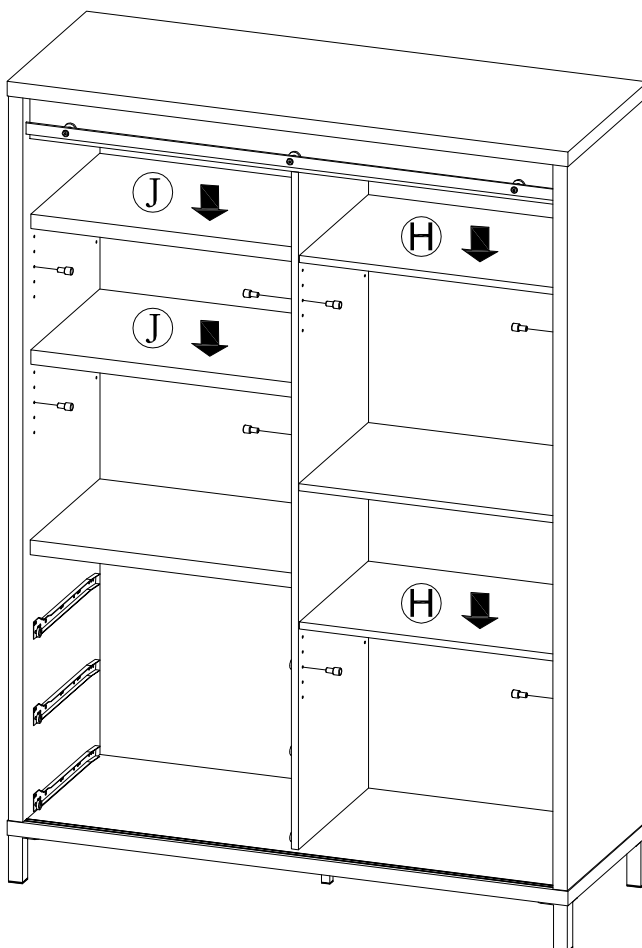
x 16



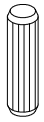
12



13

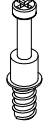


②



x 12

③



x 6

④



x 6

⑥



x 12

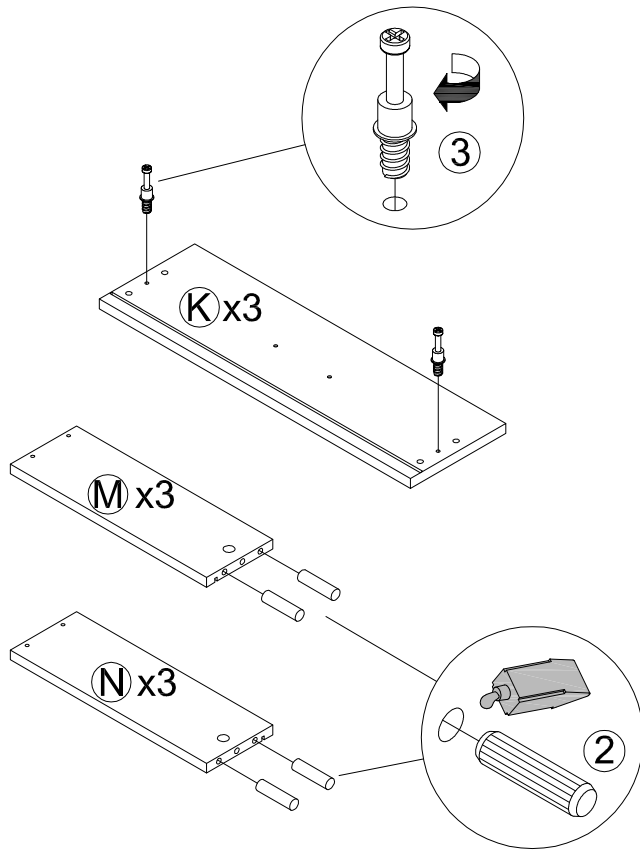
35mm

②③

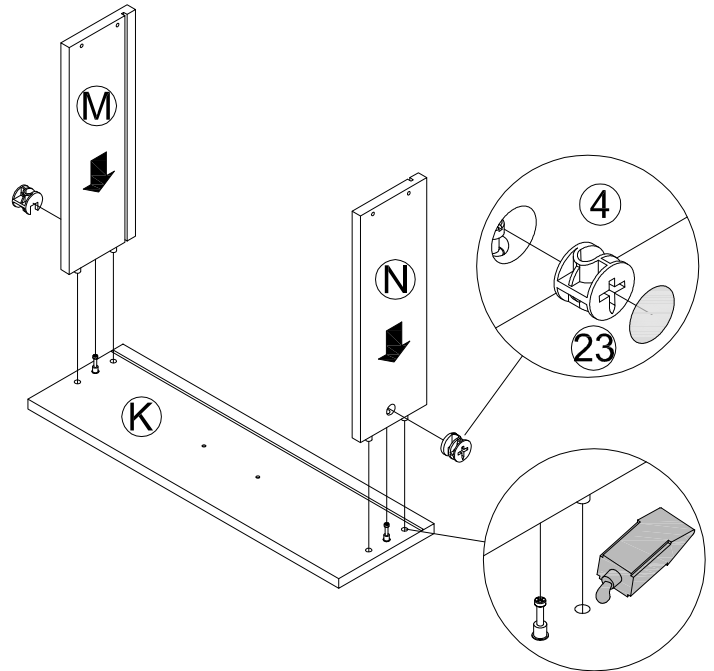


x 6

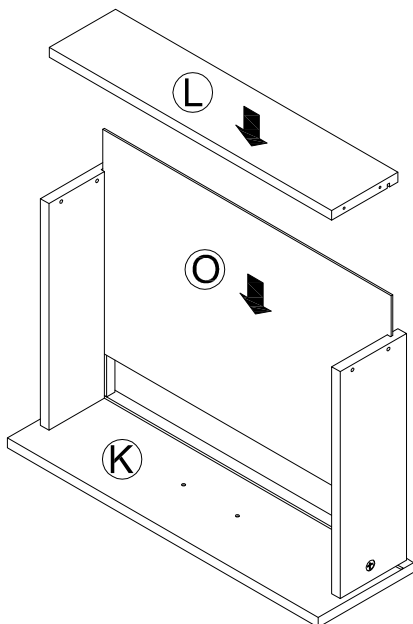
14



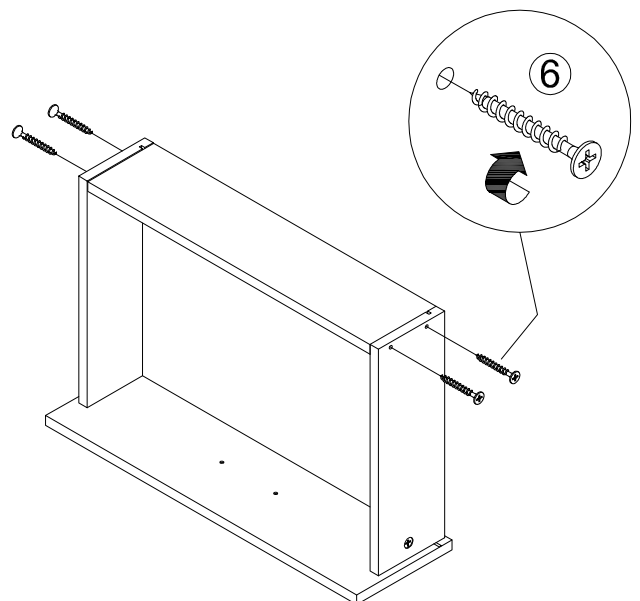
15



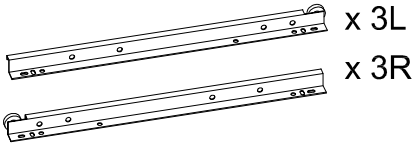
16



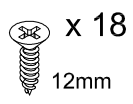
17



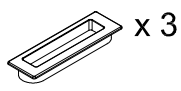
8



9



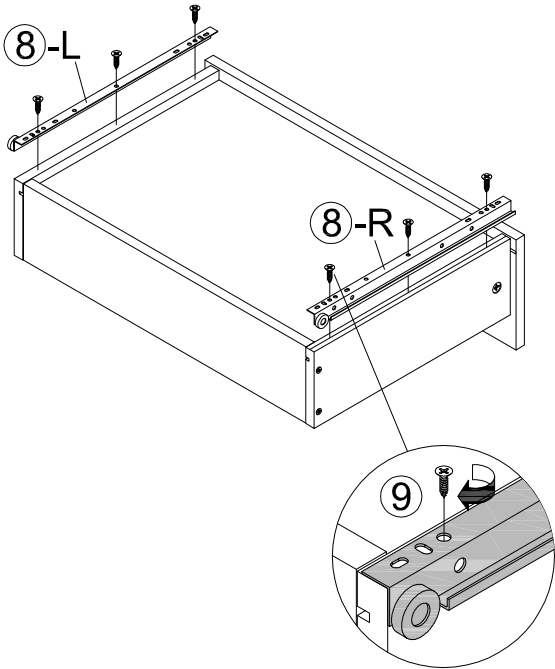
10



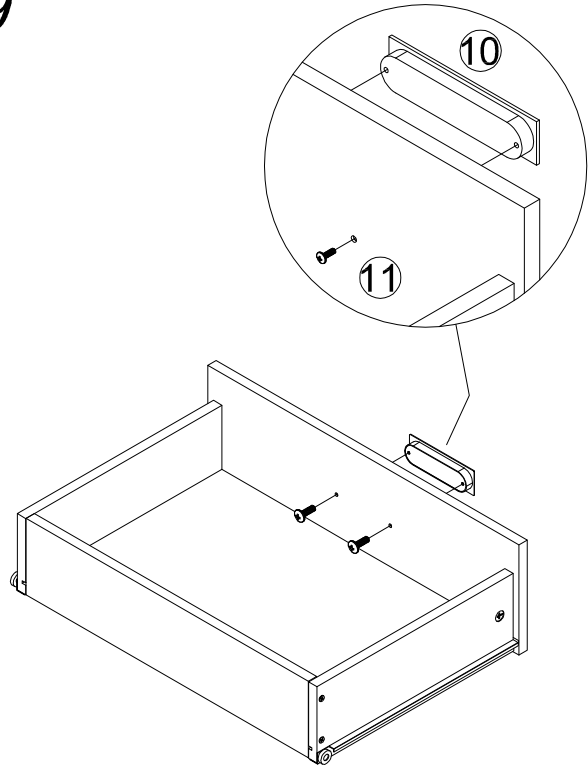
11



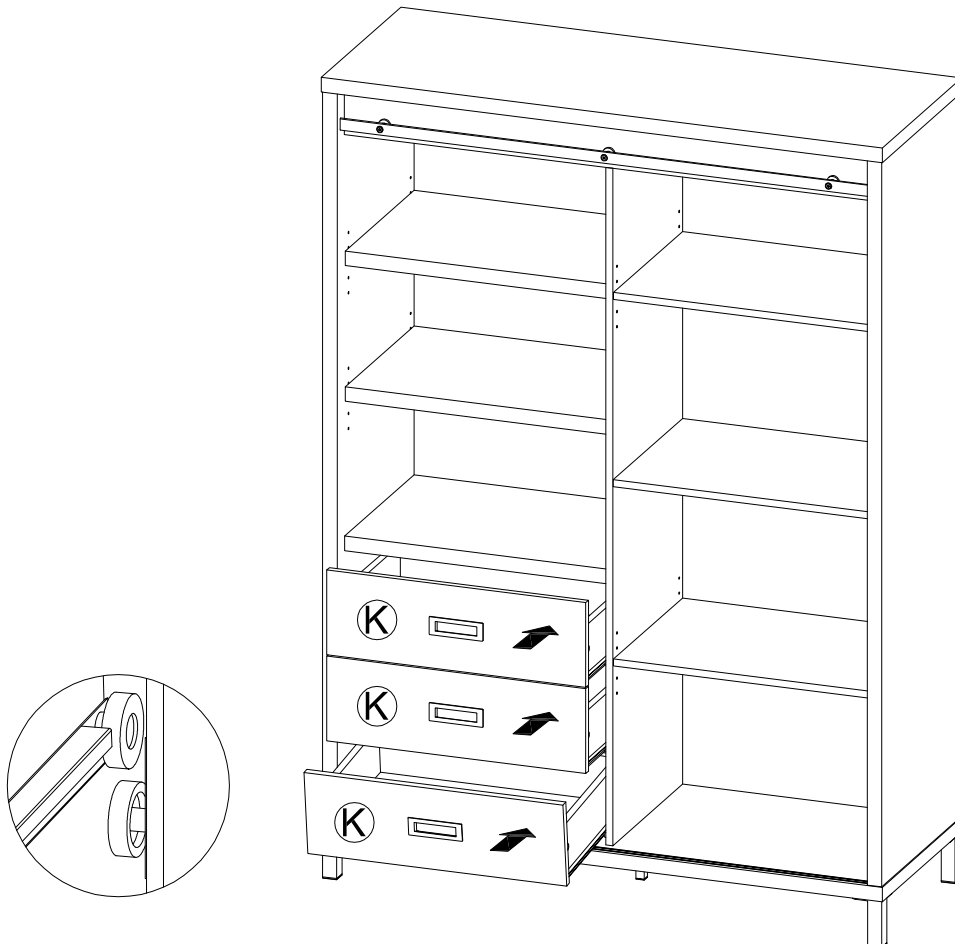
18



19

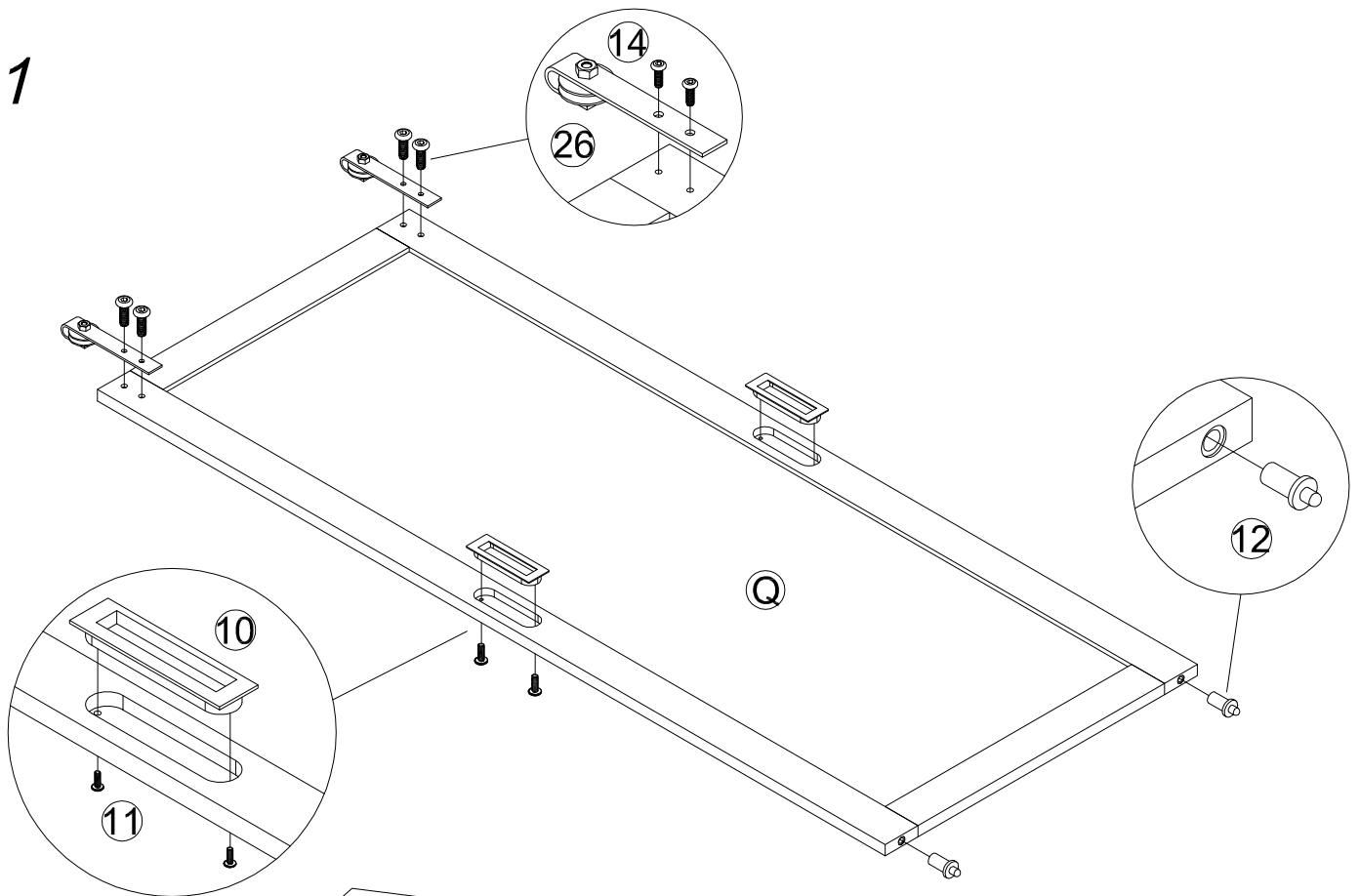


20

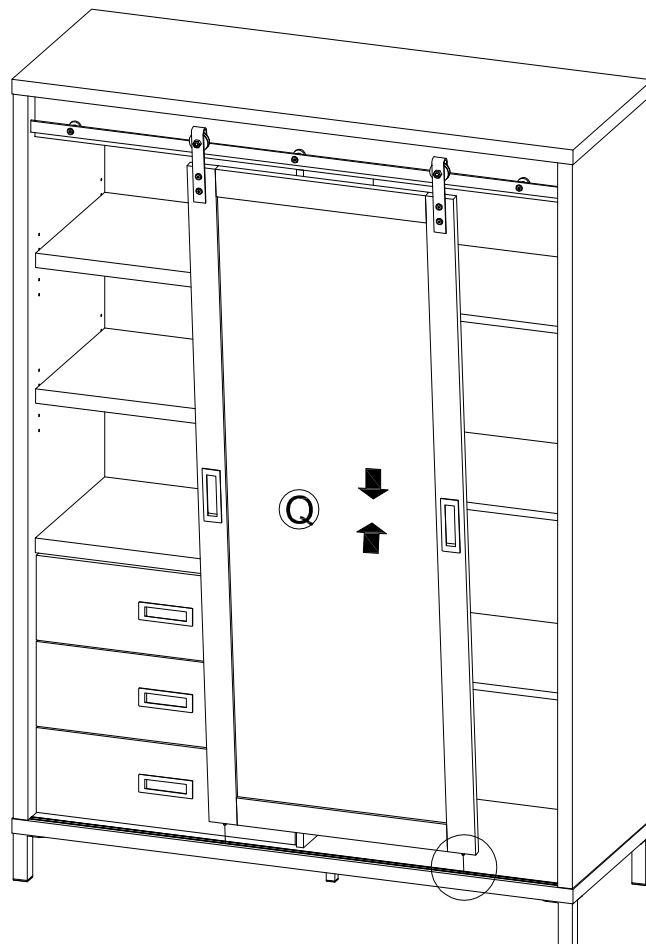


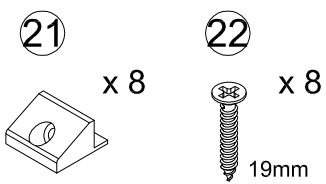
- ⑩
x 2
- ⑪
x 4
15mm
- ⑫
x 2
- ⑫
x 2
- ⑭
x 4
19mm
- ⑮
x 1

21

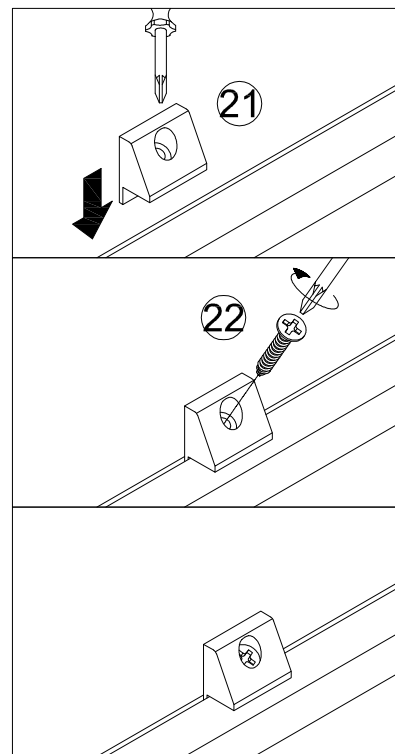
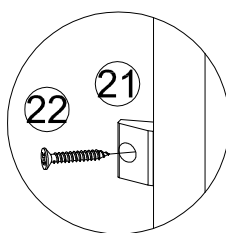
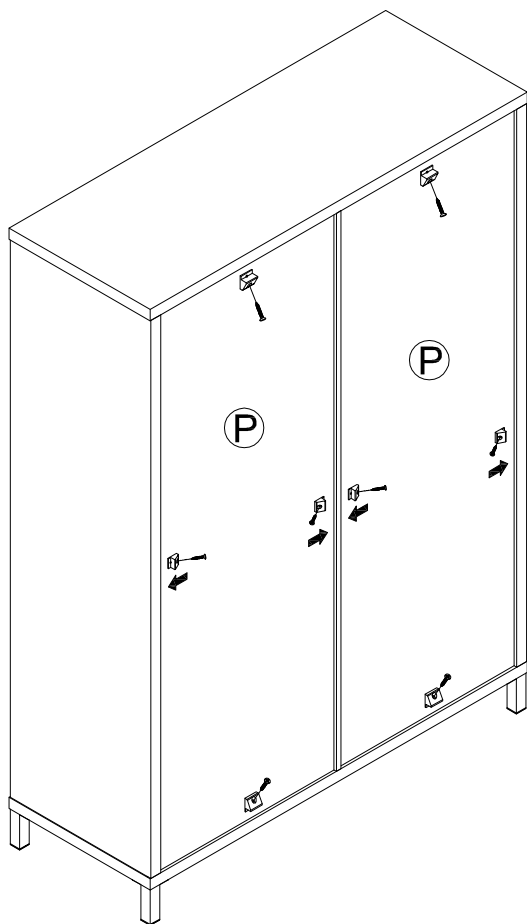


22

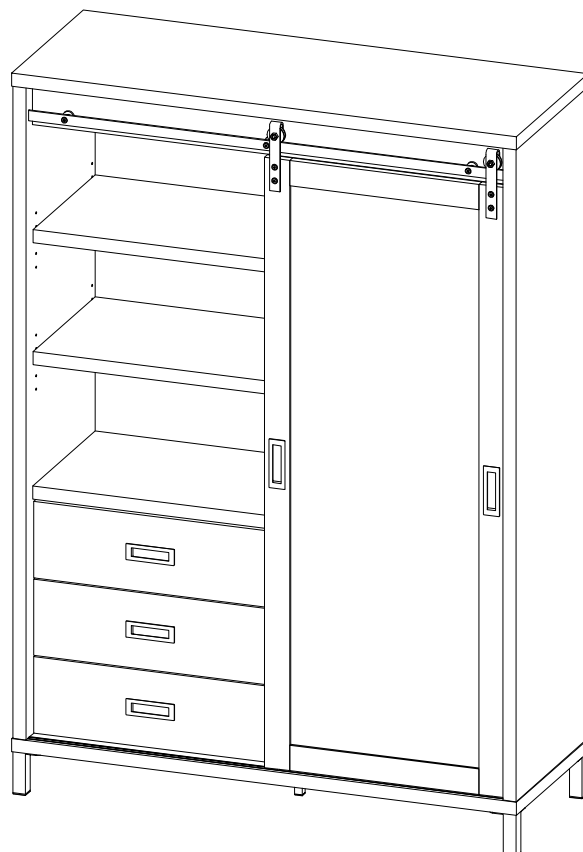




23



24



27

