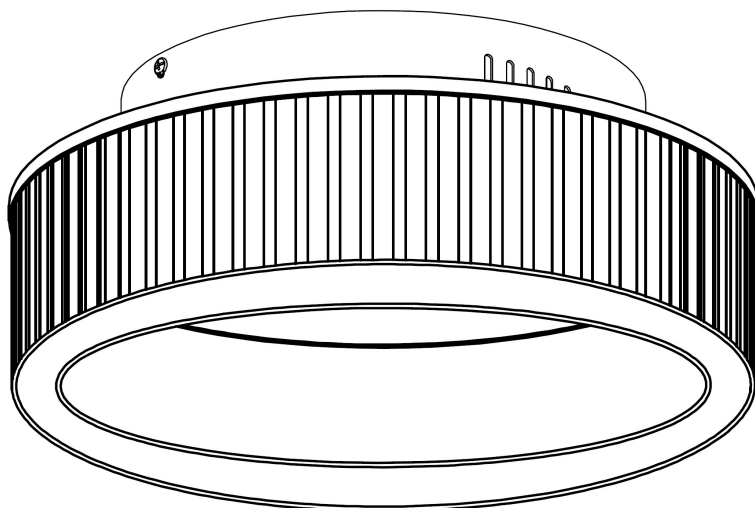




Instruction manual

LED Ceiling Lamp



Art.-No.: 11688657
Model: LED Ceiling Lamp

Table of contents

Mounting instructions.....	3
Scope of delivery	3
General	4
Read and keep the instructions manual.....	4
Intended use.....	4
Explanation of symbols.....	5
Safety	5
Notice statement	5
General safety instructions	6
Product description	10
Initial start-up	10
Basic cleaning	10
Assembly	11
Find installation location	11
Mount the lamp base	12
Connect the product	13
Mounting the lampshade.....	13
Operation	13
Troubleshooting	14
Maintenance.....	15
Cleaning.....	15
Storage	16
Technical data.....	17
Disposal	18
Disposal of packaging.....	18
Disposal of product and battery	18
Declaration of Conformity	20

Mounting instructions

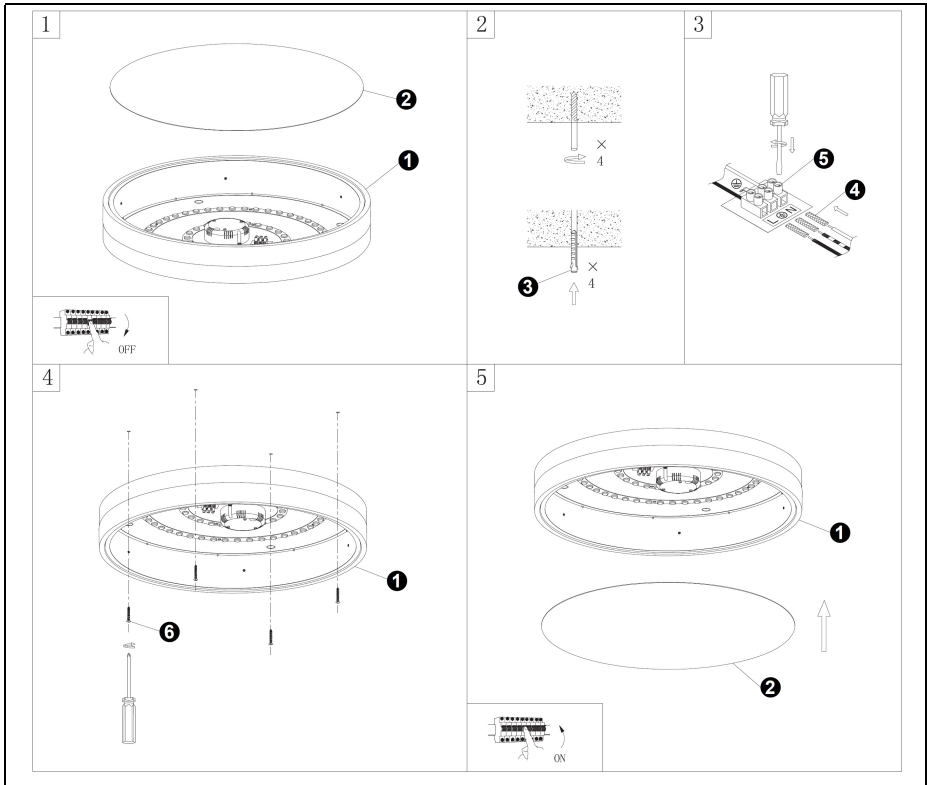


Fig. 1

Scope of delivery

- | | |
|---------------------|----|
| ① Base | 1x |
| ② Lampshade | 1x |
| ③ Dowel | 4x |
| ④ Protective sleeve | 3x |
| ⑤ Luster terminal | 1x |
| ⑥ Ceiling screw | 4x |

General

Read and keep the instructions manual



These assembly instructions belong to this LED Ceiling Lamp (in the following referred to as the "product"). It contains important information on start-up and handling.

Read the assembly instructions carefully before using the product, especially the safety instructions. Failure to follow these assembly instructions can result in serious injury or damage to the product.

The assembly instructions are based on the standards and regulations prevailing in the European Union. Furthermore, please observe any country-specific guidelines and laws abroad. Keep the assembly instructions for further use.

If you pass the product on to third parties, be sure to include these installation instructions.

Intended use




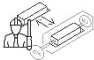
The product is designed for the lighting of and under dry and closed interiors. It is exclusively intended for private use and not suitable for commercial use.

Only use the product as described in these assembly instructions. Any other use is considered improper and can lead to property damage or even personal injury. The product is not a toy for children.

The manufacturer or dealer assumes no liability for damage caused by improper or incorrect use.

Explanation of symbols

The following symbols are used in this manual, on the product or on the packaging.

	This symbol gives you useful additional information on commissioning and handling.
	Declaration of Conformity (see chapter "Declaration of Conformity"): Products marked with this symbol comply with all applicable community regulations of the European Economic Area.
 <p>Austausch nur durch Fachmann Exchange only by a specialist Vyměňujte pouze odborníkem Vymieňajte iba odborníkom</p>	The light source of the product can be replaced by a specialist.
 <p>Austausch nur durch Fachmann Exchange only by a specialist Vyměňujte pouze odborníkem Vymieňajte iba odborníkom</p>	The control gear of the product can be replaced by a specialist.

Safety

Notice statement

The following symbols and signal words are used in this user manual, on the product or on the packaging.



This signal symbol/word indicates a hazard with a medium level of risk which, if not avoided, can result in death or serious injury.



This signal symbol/word indicates a hazard with a low level of risk which, if not avoided, could result in minor or moderate injury.



This signal word warns of possible damage to property.

General safety instructions



Electric shock hazard!

Faulty electrical installation or excessive mains voltage can lead to electric shock.

- The installation of this product involves work on the mains voltage; it must therefore be carried out by a certified electrician in accordance with the country-specific installation regulations and connection conditions.
- Before starting installation work and before cleaning and maintenance work, unscrew the fuse or switch off the automatic circuit breaker. Use a 2-pole voltage tester to check that there is no voltage.
- Make sure that no cables are damaged when installing the product.
- Make sure that neither the connection cable of the product nor the connection cable of the building installation is kinked or have run over edges.
- Do not install or operate the product if the product or the connecting cable shows any visible damage. If a recognizable defect occurs, take the product out of operation immediately.
- Keep the product away from open flames and hot surfaces.
- Do not immerse the product in water or other liquids.
- Protect the product from moisture and keep water and other liquids away from the product.
- Only use the product indoors. Never operate it in damp rooms or in the rain.
- Make sure that children do not put objects into the product. If not using the product, clean it or if a malfunction occurs, unscrew the fuse or switch off the circuit breaker.



Electric shock or fire hazard!

Unprofessional modifications or improper repairs can impair the operational safety of the product, which can lead to an electric shock or a short circuit and fire.

- Do not make any modifications to the product.
- Do not carry out any repair work yourself.
- Only allow repairs to be carried out by a certified electrician.
- Only parts that correspond to the original device data may be used for repairs. The product contains electrical and mechanical parts that are essential to protect against sources of danger.
- Liability and guarantee claims are excluded for repairs carried out independently, improper connection or incorrect operation.



Fire hazard!

Improper handling of the product can cause a fire.

- Do not operate the product with an external dimmer or electronic switch.
- Never cover the product with heat insulating or other materials.
- Do not use the product near flammable or explosive substances or materials.
- Do not install the product on a wet or conductive surface.
- Only mount the product on normal or non-flammable surfaces.
- Do not operate the product while it is in the packaging.



Dangers for children and people with reduced physical, sensory or mental abilities (e.g. partially disabled, older people with limited physical and mental abilities) or lack of experience and knowledge (e.g. older children).

- This product can be used by children aged eight years and over and by persons with reduced physical, sensory or mental capabilities or lack of experience and knowledge if they are supervised or have been instructed in the safe use of the product and understand the resulting hazards. Children must not play with the product. Cleaning and user maintenance shall not be performed by children without supervision.
- Ensure that the product is unpacked by an adult.
- Do not allow children to play with the packaging foil. Children can get caught in it and suffocate while playing.
- Children can put small parts in their mouths and choke on them while playing. Do not let children play with any small parts.
- Keep children under the age of eight away from the product and the connection cable.
- Do not leave the product unattended during operation.



Risk of injury!

The LEDs in this product are very bright. Looking directly at the light for long periods of time or from a short distance can cause retinal damage.

- Never look directly into the light for long periods of time or at close range.
- Do not look at the switched on product with an optical instrument (e.g. with a magnifying glass).



Risk of burns!

Individual parts of the product can become hot during operation. Accidental touching can result in burns.

- Switch off the product for any work and let it cool down.



Risk of injury!

Using a defective product may result in injury.

- Check the product for damage immediately after unpacking.

NOTICE!

Risk of damage!

Improper handling of the product can lead to damage of the product.

- Avoid heat build-up by not covering the product with heat-insulating covers or similar materials.
- Do not mount the product near hot surfaces.
- Never expose the product to high temperatures (heating, etc.) or weather conditions (rain, etc.).
- Never fill liquid into the product.
- Never immerse the product in water for cleaning or use a steam cleaner for cleaning. Otherwise the product may get damaged.
- Never put the product in the dishwasher. You will destroy it by doing so.
- Do not hang any objects on the product.
- Do not use the product if the plastic components of the product are cracked or deformed. Ensure that damaged components are replaced only with suitable original spare parts.

Product description

The product is a LED Ceiling Lamp for installation in closed and dry indoor spaces.

The luminaire is operated via the corresponding wall switch.

Initial start-up

Basic cleaning

1. Remove the packaging material and all protective films.
2. Before using the product for the first time, clean all parts of the product as described in the "Cleaning" section.

Assembly



Electric shock hazard!

Improper work on the mains voltage can cause injury to yourself and others.

- Have the installation and electrical connection carried out by a certified electrician. The certified electrician must be familiar with the characteristics of the luminaire and the connection regulations.
- Before drilling into the ceiling, make sure that there are no power lines, gas lines, water lines or heating pipes in the desired location. Use suitable testing equipment for this purpose.
- Observe the safety instructions of the drilling machine used.
- Carry out the installation in a voltage-free state. Switch off the circuit breaker of the power circuit. Secure it (e.g. with a warning sign) against being switched on again.
- Do not install the product if you are unable to concentrate or feel unwell.
- Make sure that there is no voltage on the ceiling cable to which the luminaire is to be connected. To do this, remove the fuse or switch off the circuit breaker in the fuse box (0 position). Use a 2-pole voltage tester to check that there is no voltage. Use a metal tester to make sure that there are no cables or pipelines in the drilling areas.
- If necessary, select a different location for assembly.

Find installation location

1. Select a clean, dry place for the installation location of the product.
2. Make sure that the desired installation location is relatively close to a house wiring ceiling cable or that the house wiring ceiling cable is sufficiently long for the product to be connected to it. Also, make sure the installation location is out of arm's reach.

3. Use a metal tester to ensure that there are no wires or pipes in the drilling areas at the desired installation location.
4. Make sure that the ceiling screws and dowels included in the scope of delivery are suitable for installation at the desired installation location. If necessary, obtain information on suitable installation material for the desired installation location of the product.

Mount the lamp base


Follow the sketch (see Fig. 1) - mounting instructions

1. Separate the lampshade from the lamp base. To do this, loosen the screws.
2. Mark the planned drill holes for the dowels. Use a pencil to do this. To mark the drill holes accurately, place the lamp base on the ceiling and draw the marks through the through holes of the lamp base. Drill the drill holes at the marked positions. Use a drill machine to do this. Insert a dowel into each drill hole. Make sure that the upper edge of the dowel is flush with the mounting surface.
3. Attach the lamp base to the ceiling. To do this, insert the ceiling screws through the through holes of the lamp base and screw them into the dowels using a Phillips screwdriver.
4. Guide the ceiling cable of the house installation through the cable passage of the lamp bracket. Now screw the lamp base completely to the ceiling.

Connect the product



Basic insulated conductor cables must be provided with additional insulation. Protective conduits supplied are used for this purpose. Please refer to the sketch - Assembly instructions (Fig. 1).

1. Open the screws of the luster terminal using a flat-blade screwdriver, connect the conductor cable of the product to the ceiling cable of the house installation and connect the individual conductor cables of the ceiling cable correctly to the connections of the luster terminal.
2. As a rule, the conductors of the house installation have the following colours:
 - Neutral conductor (blue (grey in old buildings)): N
 - Live conductors (black/brown): L
 - Protective conductor (green/yellow (red in old buildings)): 
3. Tighten the previously loosened screws of the luster terminal. Make sure that the cable strands of the individual conductor cables sit correctly in the connection sleeves of the terminal block.

The product is now connected.

Mounting the lampshade

Follow the sketch (see Fig. 1) - mounting instructions.

1. Place the lampshade on the base.

Then reset the fuse or switch on the circuit breaker at the fuse box (I position).

Operation

On/Off – Mode

- Press the corresponding wall switch to turn the product on/off.

Dimming mode

- In ON mode, switch the luminaire off and on again within 3 seconds to enter DIM mode.
- In DIM mode, the brightness automatically adjusts until it reaches the maximum / minimum brightness.

- Switch off and on again during the dimming process to keep the light at the current brightness.

Memory mode

- Switch off the lamp in ON mode for more than 3 seconds to enter MEMORY mode.
- The next time the switch is pressed, the lamp will shine at the last brightness level.

Troubleshooting

Problem	Possible Cause	Solution
The product does not, light up, although the corresponding wall switch has been pressed.	The light source is defective.	The LED light is defective. Contact customer service or a certified electrician.
	The power supply is not switched on.	Switch on the power supply (fuse or circuit breaker).
	The product is not correctly connected to the ceiling cable of the house installation.	Connect the product correctly to the ceiling cable of the house installation.

Maintenance

Cleaning



Electric shock hazard!

Careless cleaning procedures may result in electric shock.

- Make sure the product is turned off before cleaning. Also remove the fuse or turn off the circuit breaker in the fuse box (0 position).

NOTICE!

Risk of short circuit!

Water or other liquids that have entered the housing can cause a short circuit.

- Never immerse the product in water or other liquids.
- Make sure that no water or other liquids get into the housing.

NOTICE!

Risk of damage!

Improper handling of the product can lead to damage to the product.

- Do not use any aggressive cleaning agents, brushes with metal or nylon bristles or sharp or metal cleaning objects such as knives, hard spatulas and the like. These can damage the surfaces.
 - Never put the product in the dishwasher. You will destroy it by doing so.
1. Remove the fuse or switch off the circuit breaker in the fuse box (0 position).
 2. Let the product cool down completely.
 3. Wipe the product with a slightly damp cloth. Then let all the parts dry completely.
 4. Reinsert the fuse or switch on the circuit breaker on the fuse box (1 position).

Maintenance

Have a specialist replace defective lamps/control gear with components of the same type (see section "Technical data").

Storage

All parts must be completely dry before storage.

- Always keep the product in a dry location.
- Keep the product out of direct sunlight.
- Keep the product out of the reach of children, securely closed and at room temperature.

Technical data

Luminaire:

Model:	9845-1C
Article number:	11688657
Input voltage:	220-240V~ 50/60 Hz
Wattage:	30 Watt
Dimensions (in mm):	398 x 116 (D x H)
Total weight:	0,6 kg

Light Source:

Light source voltage:	27-40 VDC
Light source model:	9845
Light source type:	LED
Light source power:	Max. 30 Watt

This product contains a light source of energy efficiency class "F".
The light source and control gear of this product can be replaced by a specialist.

Disposal

Disposal of packaging



The dual systems organize the collection, sorting and recycling of sales packaging and thus follow the requirements of the German Packaging Act. Dispose of packaging made of cardboard/paper in the wastepaper bin, packaging made of plastic, metal or composite materials in the yellow bin/yellow sack and packaging made of glass, if necessary, by colour, in the waste glass containers provided for this purpose.

Disposal of product and battery

ENVIRONMENTAL PROTECTION

→ European Waste Framework Directive (Directive 2008/98/EG)

→ EEE Directive 2012/19/EU

(German federal law: e.g. KrWG, VerpackG, BatterieG, ElektroG etc.)

(Applicable in the European Union and other European countries with separate collection systems for recyclable materials)

Old devices must not be disposed with household waste!



If the product is no longer used, every end user is legally obliged to dispose of old devices separately from household waste. This can, e.g. be at the municipal collection points or in the sales outlets. The delivery of small old devices (edge length max. 25 cm) in normal household quantities is free of charge. However, larger old devices can also be given away free of charge for disposal when purchasing new devices of the same type and function. This ensures that old devices can be recycled or disposed of properly and that the raw materials can be fed into the recycling cycle. The end user must register the collection of large devices at the time of purchase and is responsible for deleting personal data before delivery/collection. Products marked with the WEEE symbol (crossed-out wheeled bin) meet the legal requirements and WEEE guidelines.

Declaration of Conformity



Declaration of Conformity: Products marked with this symbol comply with all applicable community regulations of the European Economic Area. The device was evaluated according to European guidelines, which are listed in the Declaration of Conformity. You therefore own a product that, in terms of construction, meets the protection goals of the European Community for the safe operation of devices. The Declaration of Conformity can be accessed on the website www.khg-info.de.

© Copyright 2024

Reprint or duplication (also in extracts) only with the permission of:

KHG GmbH & Co. KG

Am Rondell 1

12529 Schoenefeld

Germany

Distributed by:

KHG GmbH & Co. KG

Am Rondell 1

12529 Schoenefeld

Germany

CUSTOMER SERVICE

 +49 30 6341833 70
At the regular landline tariff of
your telephone provider

 info@khg.de

 www.khg-info.de

Dok./Rev. 20240102